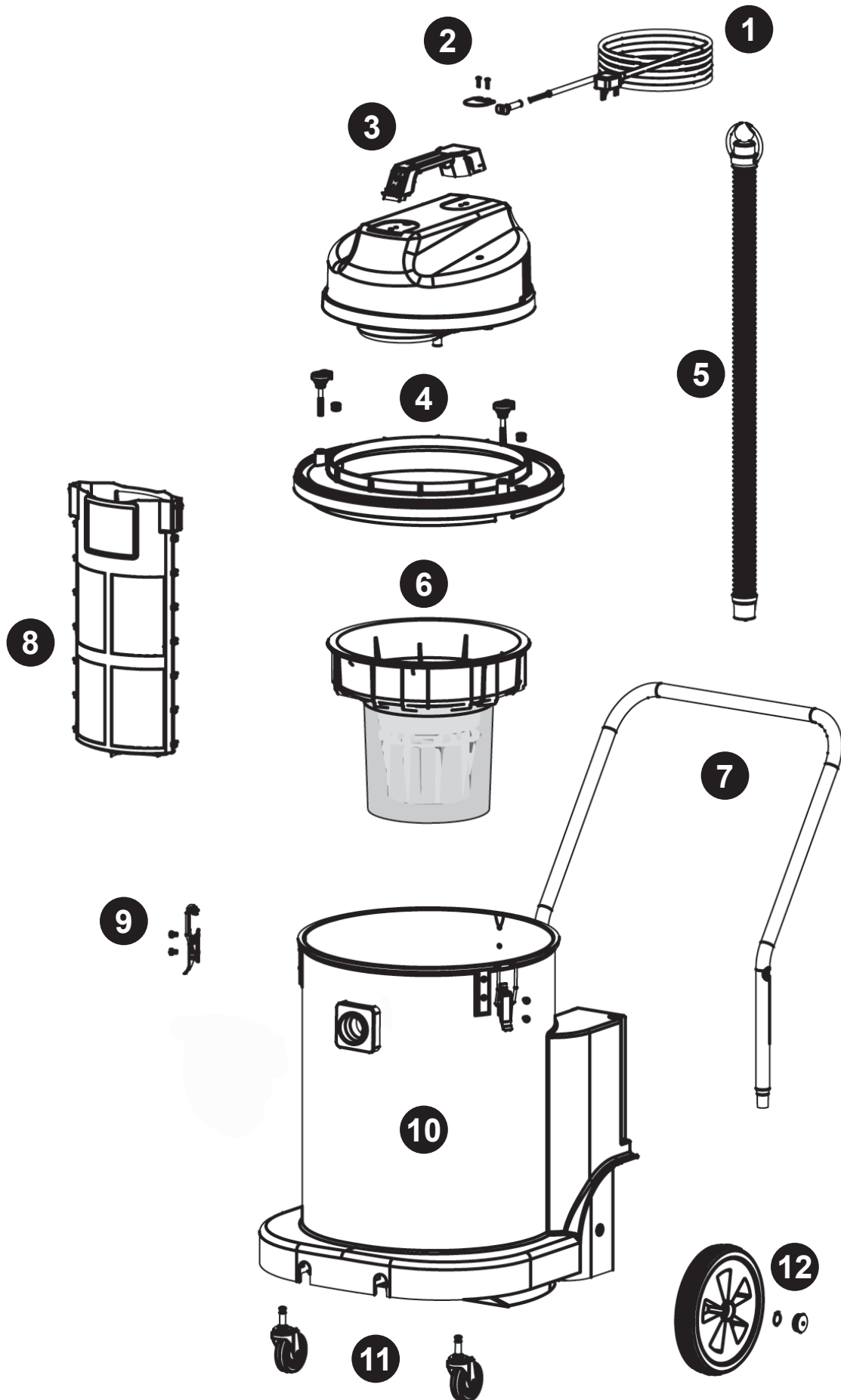


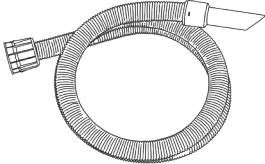
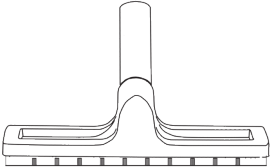


# WV1800DH WVD1800DH Exploded Spares

WET VACUUM



| Num | Description   | Num    |
|-----|---|--------|
| 1   | 10 METRE X 1MM X 2 CORE YELLOW CABLE (SOCKET WITH UK PLUG)  | 911549 |
|     | 10.0MT X 1.5MM X 2 CORE YELLOW CABLE (SOCKET + PLUG) EURO   | 236144 |
|     | MAINS CABLE.YELLOW.10000.2m5.2.INDUSTRIAL 32A PLUG.STRIPPED | 911743 |
|     | 10.0MT X 1.5MM X 3 CORE CABLE (SOCKET + PLUG) SWISS         | 236019 |
| 2   | CABLE CLIP (SOCKET)   | 227637 |
|     | NO6.5/8 INCH LONG.POZI-PAN.SCREW.ZINC PLATED PLASTITE       | 219107 |
| 3   | HANDLE COVER 1-SWITCH 2 POLE 10A                            | 904816 |
|     | HANDLE BASE MOULD ASSY(SOCKET) DAF V16/V30/V53/81/83        | 320796 |
| 4   | 1800 DRUM ADAPTER PLATE ASSEMBLY                            | 502100 |
| 5   | DUMP HOSE (1800)  | 213039 |
| 6   | WV575/2000 FLOAT ASSEMBLY MK2 (MANUFACTURING)               | 502034 |
| 7   | 1800 DRUM HANDLE (M/S) (1.750) PAINTED BLACK                | 302097 |
| 8   | TRASH BASKET FILTER ASSEMBLY (1800)                         | 207110 |
| 9   | BLACK TOGGLE FASTENER 30-1665 MSBL                          | 206135 |
|     | M5x.10MM LG.POZI-PAN.SCREW.Z/PL.SEM                         | 219047 |
|     | M5.12MM LG.POZI-PAN.SCREW.Z/PL.C/SUNK                       | 219330 |
| 10  | WV/WVD1800 BLUE DRUM ASSEMBLY PLUS DRAIN HOSE               | 500720 |
| 11  | 3 INCH STEM FITTING CASTOR                                  | 204060 |
| 12  | 10 INCH WHEEL(BLACK/GREY) 20MM BORE                         | 204028 |
|     | CIRCLIP A20   | 219308 |
|     | BLACK PLASTIC CAP 804029                                    | 206131 |

607249 (BS7)

| Image Reference  | Item Description                    | Part Number | Item Quantity |
|--|-------------------------------------|-------------|---------------|
|    | 2.4 Nuflex Threaded Hose Assembly   | 602102      | 1             |
|   | 400mm ProFlo Wet Pick-up Floor Tool | 602380      | 1             |
|    | 38mm Stainless Steel Tube Bend      | 602919      | 1             |
|  | 38mm Stainless Steel Tube Straight  | 602920      | 2             |

Numatic International Limited. Chard, Somerset TA20 2GB  
ENGLAND Tel: 01460 68600 [www.numatic.co.uk](http://www.numatic.co.uk)

Numatic International GmbH. Fränkische Straße 15–19. D-30455 Hannover,  
DEUTSCHLAND Tel: 05 11 98 42 16 0 [www.numatic.de](http://www.numatic.de)

Numatic International SAS. 13 / 17 rue du Valengelier. EAE La Tuilerie – 77500  
CHELLES, FRANCE Tel: 01 64 72 61 61 [www.numatic.fr](http://www.numatic.fr)

Numatic International BV. Vennootsweg 15, 2404 CG, Alphen aan den Rijn,  
NEDERLAND Tel: 0172 467 999 [www.numatic.nl](http://www.numatic.nl)

Numatic International (Pty.) Ltd. 16th & Pharmaceutical Roads, Midrand, Gauteng,  
SOUTH AFRICA 1685 Tel: 0861 686 284 [www.numatic.co.za](http://www.numatic.co.za)

Numatic International Schweiz AG. Sihlbruggstrasse 3A, 6340 Baar.  
SCHWEIZ Tel: 0041 (0) 41 76 80 76 - 0 [www.numatic.ch](http://www.numatic.ch)

Numatic International ULDA. Rua da Boa Viagem, 177. 4470.210 Maia.  
PORTUGAL Tel: +351 220 047 700 [www.numatic.pt](http://www.numatic.pt)

Numatic International SLU. C/ La Forja, 41, 08840 Viladecans. (Barcelona),  
SPAIN Tel: +34 93 647 22 22 [www.numatic.es](http://www.numatic.es)

Numatic International DENMARK. Fränkische Straße 15–19. D-30455 Hannover,  
DEUTSCHLAND Tel: 05 11 98 42 16 0 [www.numatic-online.dk](http://www.numatic-online.dk)