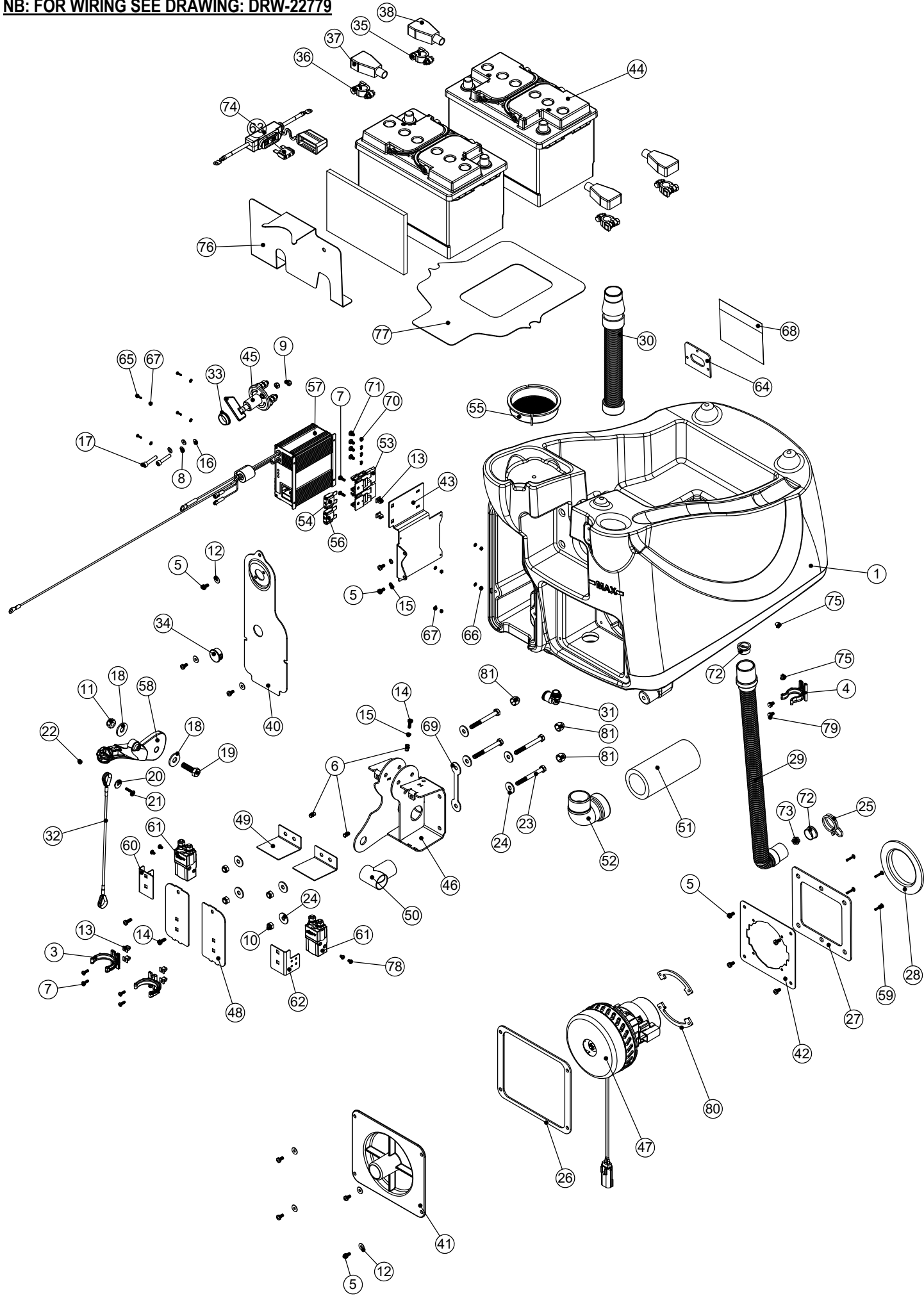


# Numatic International Spare Parts

Model No: TGB 3045 (& HGB) BOTTOM TANK ASSEMBLY EXPLODED VIEW

Internal Code: 903637  
 DRAWING: DRW-21694 ISS:A34  
 MS5 30/07/2019

NB: FOR WIRING SEE DRAWING: DRW-22779



# Numatic International Spare Parts

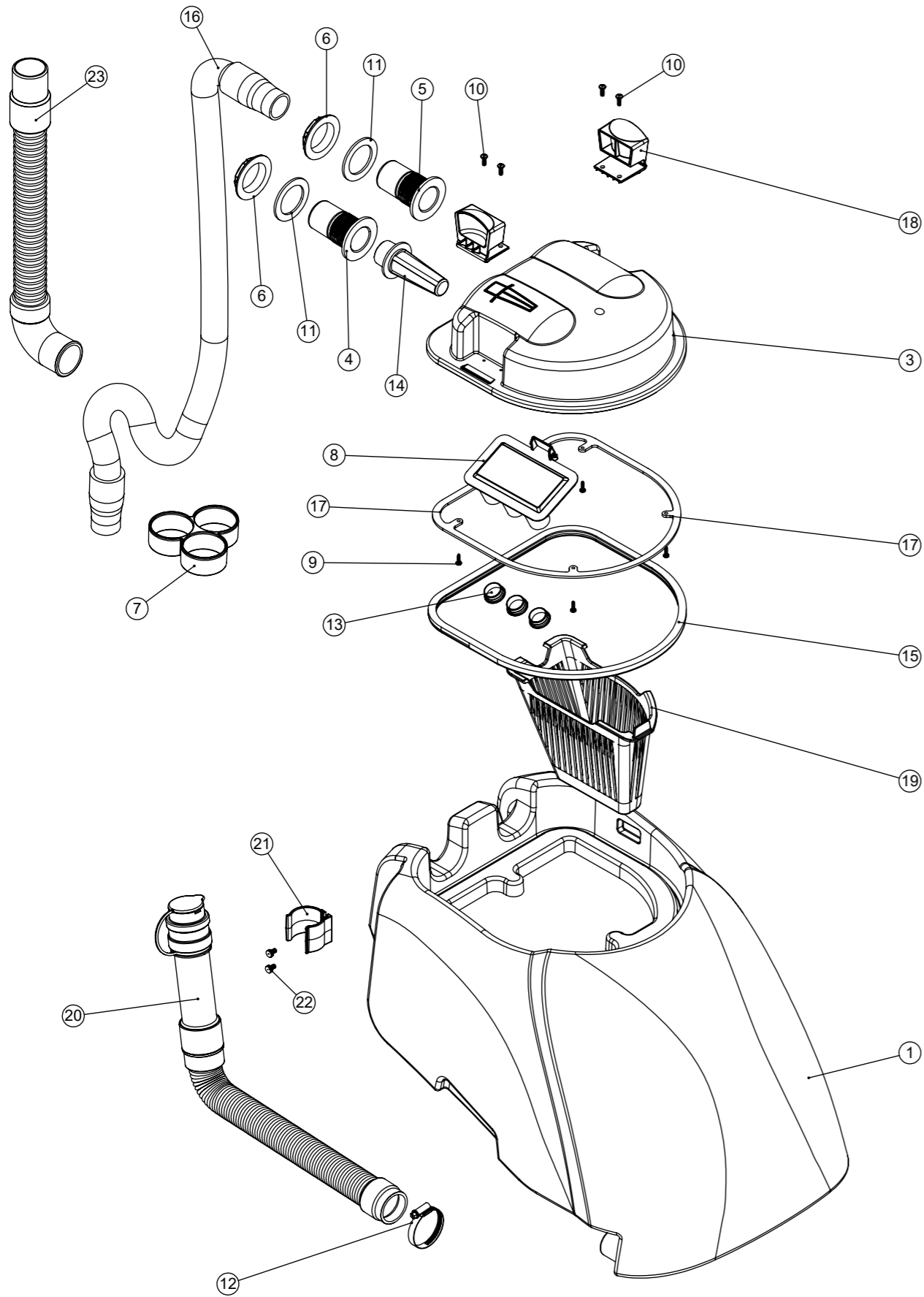
Model No: TGB 3045 (& HGB) BOTTOM TANK ASSEMBLY EXPLODED VIEW

ITEM:	PART No:	Description	Comments	QTY
1	902590	TGB3045 BOTTOM TANK MOULDING (GRAPHITE)		1
	904849	HGB3045 BOTTOM TANK MOULDING (RED - WITH LOGO) (904726 WITHOUT LOGO)	HGB	
3	237754	35-38MM HOSE CLIP		2
4	901916	28mm HOSE CLIP		1
5	291131	M5 X 12MM LONG STAINLESS STEEL POZI PAN SEMS SCREW		13
6	219558	M5 STAINLESS STEEL NUTSERT		3
7	219569	No8 X 1/2 INCH LONG POZI PAN STAINLESS STEEL PLASTITE SCREW		6
8	219560	M6 FORM B STAINLESS STEEL WASHER		2
9	219642	M6 STAINLESS STEEL NYLON INSERT NUT		2
10	219639	M8 STAINLESS STEEL NYLON INSERT NUT		4
11	219897	M10 STAINLESS STEEL NYLON INSERT NUT		1
12	219644	M5 FORM G STAINLESS STEEL WASHER		7
13	900986	NYLON GROMMET NUT (PLASTIC INSERT TO SUIT No 8 PLASTITE SCREW)		6
14	291132	M5 X 16MM LONG STAINLESS STEEL POZI PAN SEMS SCREW		3
15	219355	M5 FORM A STAINLESS STEEL WASHER		3
16	219462	RUBBER WASHER REF NO. 0380810		2
17	219747	M6 X 30MM STAINLESS STEEL CAP HEAD SCREW		2
18	291124	M10 PENNY WASHER STAINLESS STEEL		2
19	219895	M10 X 35MM LONG HEXAGONAL STAINLESS STEEL SCREW		1
20	291118	M5 STAINLESS STEEL WASHER 19MM OD		1
21	219686	M4 X 20MM LONG STAINLESS STEEL POZI PAN MACHINE SCREW		1
22	219687	M4 STAINLESS STEEL NYLON INSERT NUT		1
23	291123	M8 X 75 LONG HEX HEAD BOLT STAINLESS STEEL		4
24	219716	M8 FORM G STAINLESS STEEL WASHER		8
25	902133	SPRING WIRE CLAMP (YDNAC-Y8010356)		1
26	902275	VAC PLATE GASKET		1
27	208799	TT MOTOR PLATE GASKET		1
28	202008	MOTOR CAP GASKET		1
29	N/A	DUMP HOSE		1
30	208960	TTB/TT FILLING HOSE		1
31	901539	ELBOW ANGLE CONNECTOR 3/8 PARALLEL THREAD C/W O-RING TO 12MM PUSH IN		1
32	208962	TT LIFTING WIRE		1
33	902331	QF PVC GROMMET (26MM X 22MM X 2MM)		1
34	206314	WINDOW PLUG		1
35	220455	BATTERY TERMINAL CONVERTOR		2
36	220454	POSITIVE BATTERY TERMINAL CONVERTER		2
37	208935	RED BATTERY TERMINAL COVER (415N8V02)		2
38	208936	BLACK BATTERY TERMINAL COVER (415N8V14)		2
39	208645	FOAM BATTERY SPACER		1
40	902707	CHARGER & PCB COVER PLATE		1
41	907553	VAC MOTOR PLATE MOULDING		1
42	902709	VAC MOTOR PLATE (CCL)		1
43	902706	CHARGER & PCB BRACKET		1
44	220868	12V TRACTION BLOCK BATTERY	Sales use packed item No. 205085 56 AMP/HOUR BATTERY	2
45	206746	MASTER KEY SWITCH & KEY		1
46	903612	TGB 3045 HANDLE MOUNT WELD ASSEMBLY Z/PL		1
47	903292	VAC MOTOR ASSEMBLY		1
48	903539	HANDLE MOUNT COVER PAINTED SILVER		2
49	903599	COVER PLATE		2
50	903600	T SHAPE DIP MOULDING		1
51	208956	SILENCER FOAM TUBE 150MM		1
52	208583	DIP MOULDED ELBOW (MANS VERSION)		1
53	230102	FUSE HOLDER RATED AT 60 AMPS		2
54	230104	30 AMP MAXI FUSE		1
55	903543	CLEAN TANK INLET FILTER (RED)		1
56	221091	20 AMP MAXI FUSE		1
57	903533	SPE CHARGER ASSEMBLY C/W INHIBIT		1
58	902324	RED SQUEEGEE LIFT HANDLE		1
59	219568	NO8 3/4 INCH LG.POZI-PAN.SCREW.STAINLESS STEEL.PLASTITE		4
60	903598	CONTACTOR PLATE (LEFT)		1
61	903736	24V ALBRIGHT CONTACTOR (SU60-2009)		2
62	903737	CONTACTOR PLATE (RIGHT)		1
63	221047	40 AMP MAXI FUSE		1
64	202105	SOCKET COVER SEALING GASKET		1
65	902534	M3 X 10MM LONG POZI PAN SCREW STAINLESS STEEL		4
66	291154	M3 NYLON INSERT NUT STAINLESS STEEL		4
67	904219	M3 STAINLESS STEEL EXTERNAL SHAKEPROOF WASHER		8
68	904220	SPLASH GUARD SHEET		1
69	904283	CABLE RESTRAINT		1
70	219861	M5 SINGLE COIL STAINLESS STEEL WASHER		4
71	219864	M5 X 8MM LONG POZI-PAN SCREW Z/PL		4
72	904108	FLOAT STOP MOULDING		2
73	904109	FLOAT MOULDING		1
74	903761	IP67 FUSE HOLDER - LITTELFUSE MAHC0001ZXJ.246.M6 RING.M6 RING		1
75	904403	BARBED RIVET BLACK		2
76	904729	WIRE & BATTERY PLATE (PP)		1
77	904728	BATTERY SPACER (PP)		1
78	904703	M4 X 6MM LONG POZI-PAN SCREW STAINLESS STEEL	1.6Nm	4
79	291135	M5 X 10MM LONG STAINLESS STEEL POZI PAN SEMS SCREW		2
80	905066	VAC SPACER PLATE		2
81	903260	M8 BOLT AND NUT CAP		3

# Numatic International Spare Parts

Model No: TGB 3045 (& HGB) TOP TANK ASSEMBLY EXPLODED VIEW

Internal Code: 903638  
 DRAWING: DRW-21692 ISS:A21  
 07/09/2021



# Numatic International Spare Parts

Model No: TGB 3045 (& HGB) TOP TANK ASSEMBLY EXPLODED VIEW

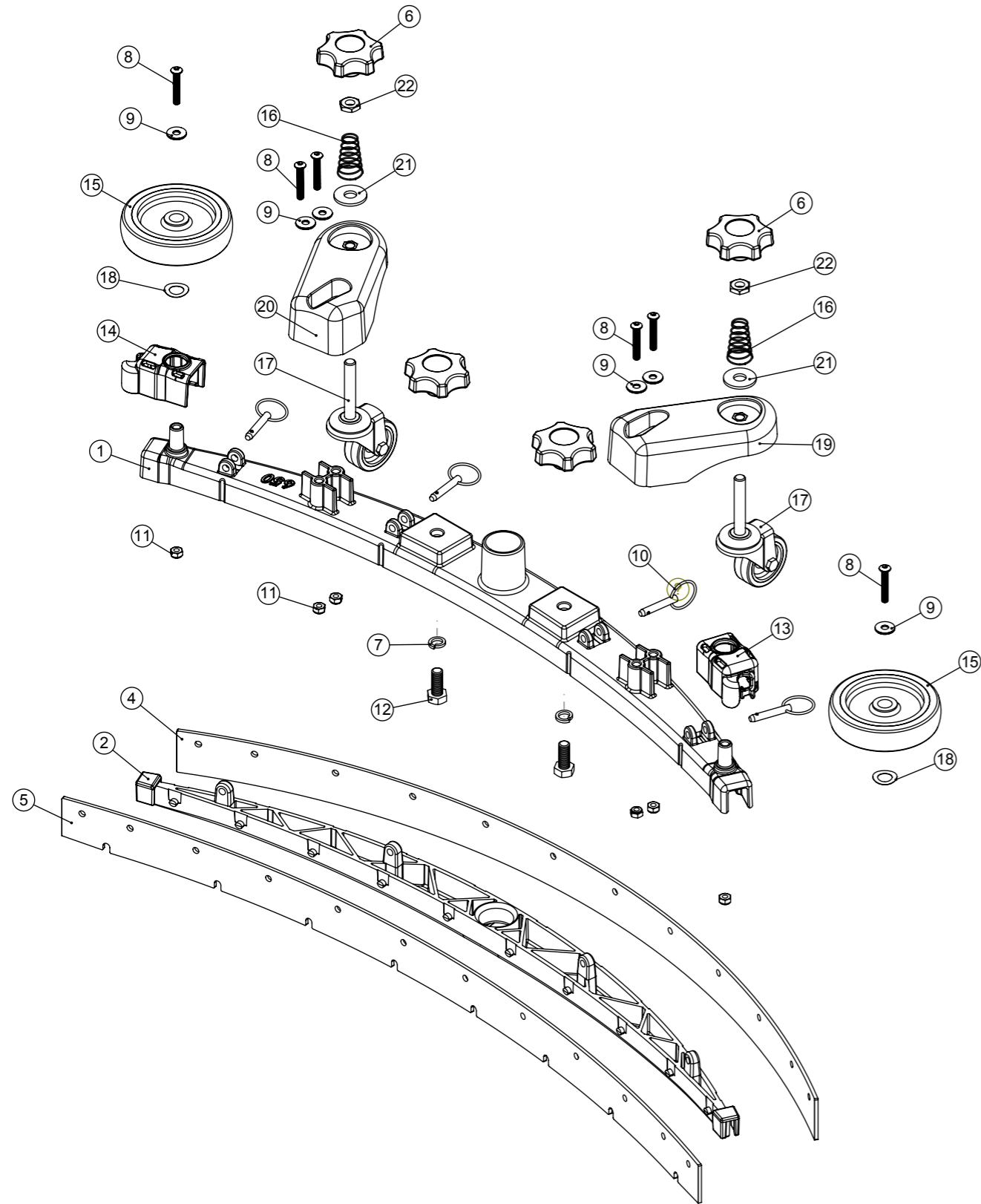
ITEM:	PART No:	Description	Comments	QTY
1	N/A	TGB3045 TOP TANK MOULDING		1
	904727	HGB3045 TOP TANK MOULDING (BLACK)	HGB	
3	237381	INTEGRATED CHASSIS SEPARATOR		1
4	237526	38MM RED DRAIN HOSE CONNECTOR		1
5	237018	38MM DRAIN HOSE CONNECTOR		1
6	206116	BLACK NUT		2
7	237718	HOSE GUIDE		1
8	237090	SEPARATOR FLOAT MOULDING (MK 2)		1
9	219852	NO6 X 1/2 LONG POZI PAN STAINLESS STEEL SELF TAP SCREW		4
10	219569	NO8 X 1/2 INCH LONG POZI PAN STAINLESS STEEL PLASTITE SCREW		4
11	219310	RUBBER WASHER		2
12	219919	32MM-50MM STAINLESS STEEL HOSE CLIP		1
13	206315	TUBE END PLUG		3
14	206265	TT/B 345 BARREL FILTER		1
15	208591	NEW SEPARATOR GASKET		1
16	N/A	35MM X 690MM LONG 3:1 STRETCH HOSE (SHORT & LONG CUFF)		1
17	392200	FILTER GASKET RING		1
18	902919	CLIP MOULDING (RED)		2
19	906070	MESHLESS FILTER BASKET		1
20	N/A	35MM X 250MM STRETCH HOSE (3:1) C/W ADJUSTABLE CUFF + CAP		1
21	237382	ACETAL HOSE CLIP MOULDING		1
22	291135	M5 X 10MM LONG STAINLESS STEEL POZI PAN SEMS SCREW		2
23	905520	VAC HOSE 580MM X Ø38MM		1

# Numatic International Spare Parts

**Model No:** 650 TWINTEC ALUMINIUM FLOOR TOOL (38MM HOSE, RED TRIM, SERILOR BLADES)

Internal Code: 903347  
 DRAWING: DRW-22621 ISS:A09  
 PRO 27/03/2018

NB: FOR WIRING SEE DRAWING: N/A



# Numatic International Spare Parts

**Model No:** 650 TWINTEC ALUMINIUM FLOOR TOOL (38MM HOSE, RED TRIM, SERILOR BLADES)

ITEM:	PART No:	Description	Qty
1	208198	(650MM SCRUB WIDTH) ALUMINIUM SQUEEGEE CASTING (38MM HOSE FITTING)	1
2	903345	(650MM SCRUB WIDTH) RED BLADE HOLDER MOULDING (SLOPING PROFILE) (32MM & 38MM HOSE FITTING)	1
	900518	650 REPLACEMENT SERILOR GREEN POLYURETHANE BLADES SET	
4	208970	(650MM SCRUB WIDTH) REPLACEMENT (4.0MM / 35-45-35 SHORE A) REAR LAMINATED SERILOR POLY/BLADE (847MM LONG)	1
5	208967	(650MM SCRUB WIDTH) REPLACEMENT (3.2MM / 40 SHORE A) FRONT MONOLAYER SERILOR POLY/BLADE (819MM LONG)	1
6	903281	M10 LOBE KNOB (RED)	4
7	219899	M10 SINGLE COIL STAINLESS STEEL WASHER	2
8	219933	M6 X 35MM SOCKET BUTTON HEAD BOLT STAINLESS STEEL	6
9	219647	M6 FORM G STAINLESS STEEL WASHER	6
10	206953	DETENT PINS	4
11	219642	M6 STAINLESS STEEL NYLON INSERT NUT	6
12	219909	M10 X 25MM LONG HEXAGONAL STAINLESS STEEL SCREW	2
13	237322	RIGHT HAND FLOOR TOOL CLIP MOULDING	1
14	237323	LEFT HAND FLOOR TOOL CLIP MOULDING	1
15	208796	4 INCH WHEEL	2
16	229175	CONICAL SPRING	2
17	907759	50MM DIAMETER GREY TPR TYRED SWIVEL CASTOR C/W M10 X 60 SWAGED STEM.	2
18	219891	13MM WAVEY WASHER	2
19	906860	ADJUSTABLE FLOOR TOOL CASTOR PLASTIC PLATE LEFT	1
20	906859	ADJUSTABLE FLOOR TOOL CASTOR PLASTIC PLATE RIGHT	1
21	291124	M10 PENNY WASHER STAINLESS STEEL	2
22	219951	A4 (STAINLESS STEEL) M10 HEX LOCK NUT (HALF NUT)	2