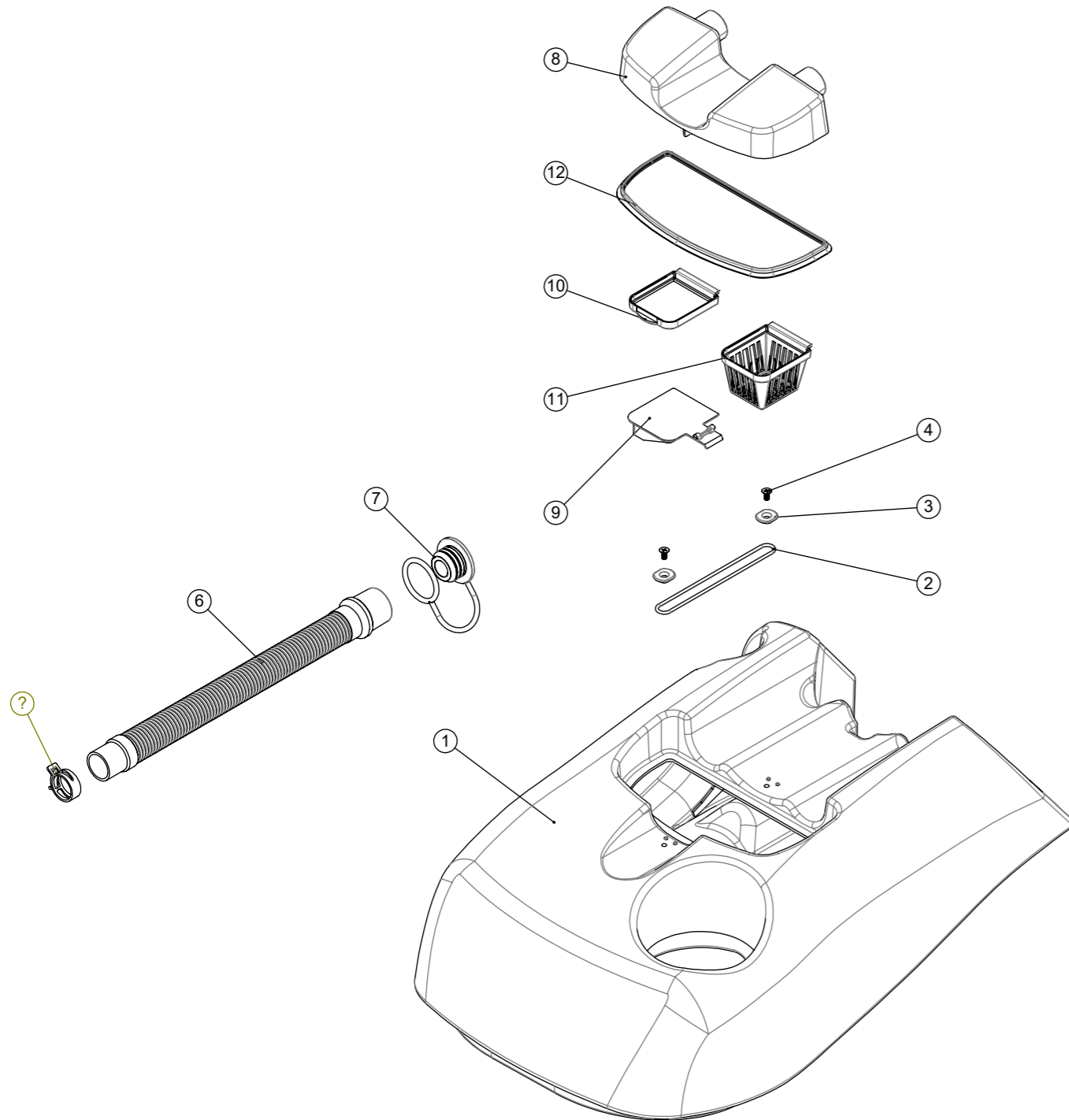


# Numatic International Spare Parts

**Model No:** TTB (& HTB) 1840 TOP TANK & SEPARATOR - EXPLODED

903931  
DRAWING: DRW-32397 ISS:A12  
27/11/2019

NB: FOR WIRING SEE DRAWING: WD-0???



# Numatic International Spare Parts

**Model No:** TTB (& HTB) 1840 TOP TANK & SEPARATOR - EXPLODED

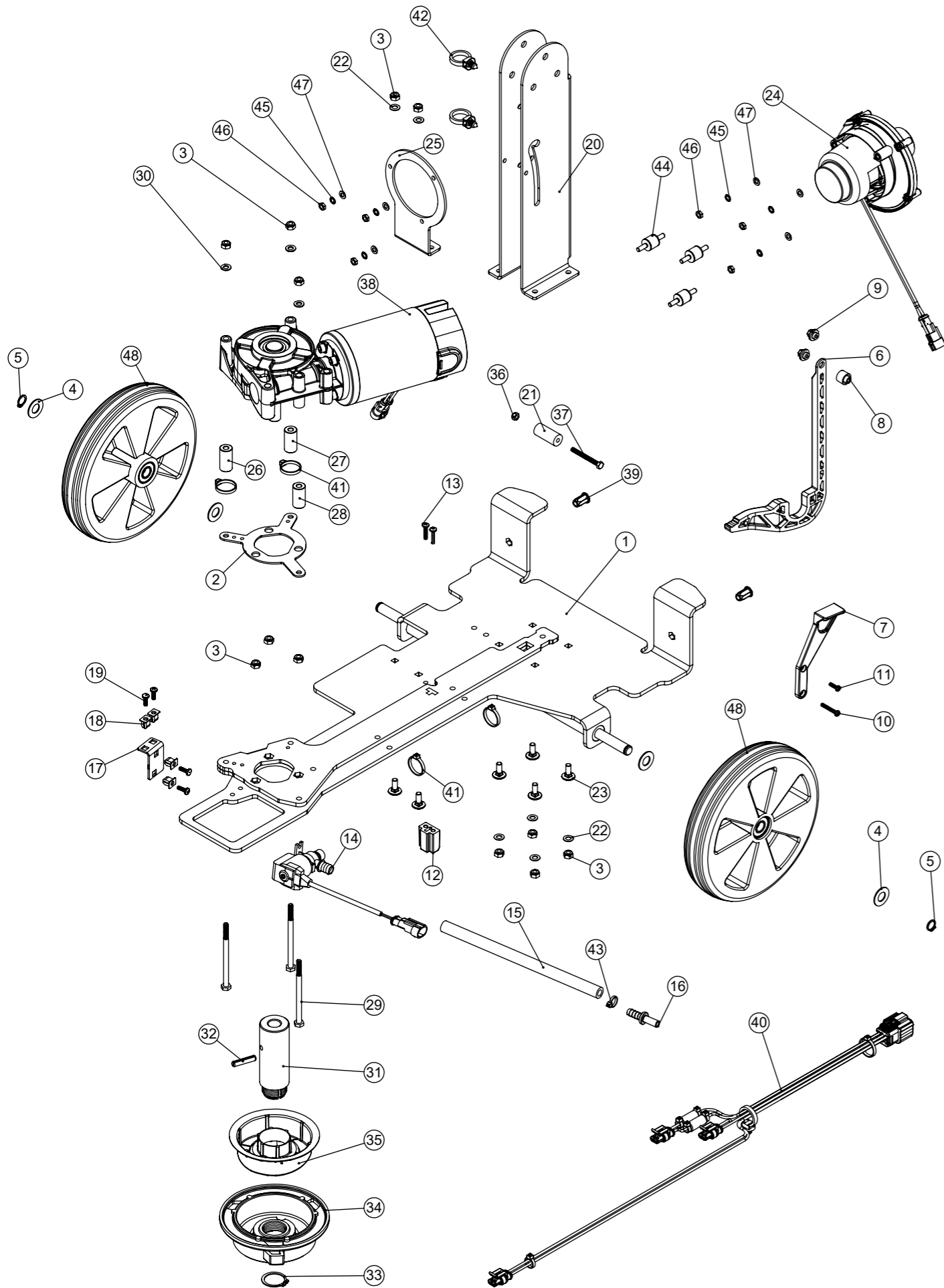
ITEM NO.	PART NUMBER	DESCRIPTION	QTY	COMMENTS:
1	903302	TTB 1840 TOP TANK (GRAPHITE)	1	
2	208715	O RING (3mmDIA.95mm)	1	
3	237397	O RING CLIP MOULDING (BLACK)	2	
4	291008	M5 X 10MM LONG POZI PAN COUNTERSUNK STAINLESS STEEL SCREW	2	
5	208471	HEAVY DUTY SPRING BAND CLAMP (27MM) [NOMINAL DIA 32MM - ABBEY CLAMPS E770320]	1	
6	208466	TTB 1840 DUMP HOSE	1	
7	903325	32MM HOSE CAP RED	1	
8	237230	TTB 1840 SEPARATOR MOULDING	1	
9	237231	TTB 1840 SHUT OFF FLAP	1	
10	237232	TTB 1840 AIR FILTER PANEL	1	
11	237411	TOP TANK FILTER	1	
12	237418	TTB 1840 SEPARATOR SEAL MOULDING	1	

# Numatic International Spare Parts

Model No: TTB 1840 36V BASE - EXPLODED

NB: FOR WIRING SEE DRAWING: DRW-32476 (911781)

911698  
DRAWING: DRW-32280 ISS:A14  
23/09/2021



# Numatic International Spare Parts

Model No: TTB 1840 36V BASE - EXPLODED

ITEM NO.	PART NUMBER	DESCRIPTION	QTY.
1	911863	TTB 1840 36V CHASSIS WELDED ASSEMBLY Z/PL	1
2	429127	NUT RETAINING PLATE Z/PL	1
3	219642	M6 STAINLESS STEEL NYLON INSERT NUT	12
4	208490	TTB 1840 WHEEL WASHER	4
5	219345	12MM EXTERNAL CIRCLIP	2
6	903926	TTB 1840 SQUEEGEE LIFT ARM (RED)	1
7	903879	TTB 1840 SQUEEGEE LIFT HANDLE (RED)	1
8	237240	TTB 1840 LIFT SPACER	1
9	237241	TTB 1840 SCREW END	2
10	219602	No6 X 1 INCH LONG POZI PAN PLASTITE SCREW (Z/PL)	1
11	219667	No6 X 1/2" LONG PLASTITE SCREW	1
12	237532	UPPER LIFT BLOCK	1
13	219568	NO8.3/4 INCH LG.POZI-PAN.SCREW.STAINLESS STEEL.PLASTITE	2
14	902949	TERMINATED SOLENOID CABLE.BLACK.125.0M5.2.24	1
15	303962	SOLENOID TUBE (230MM)	1
16	206796	BARBED CONNECTOR	1
17	908213	SOLENOID PLATE (TT/TTB1840)	1
18	900986	NYLON GROMMET NUT (PLASTIC INSERT TO SUIT No 8 PLASTITE SCREW)	4
19	219569	No8 X 1/2 INCH LONG POZI PAN STAINLESS STEEL PLASTITE SCREW	4
20	911704	TTB 1840 36V HANDLE MOUNTING BRACKET	1
21	208465	TTB 1840 HANDLE SPACER	1
22	219560	M6 FORM B STAINLESS STEEL WASHER	6
23	291103	M6 X 16 COACH BOLT S/S	6
24	911975	CINDERSON VAC HOUSING - ASSEMBLY	1
25	911864	TTB1840 36V VAC MOTOR BRACKET Z/PL	1
26	208461	30MM GEARBOX SPACER	1
27	208460	29MM GEARBOX SPACER	1
28	208459	28MM GEARBOX SPACER	1
29	291021	M6 X 90MM LONG STAINLESS STEEL HEXAGONAL HEAD BOLT	3
30	219870	M6 FORM A WASHER STAINLESS STEEL	3
31	208447	TTB 1840 DRIVE SHAFT	1
32	291079	6MM X 30MM STAINLESS STEEL ROLL PIN	1
33	230048	26MM EXTERNAL CIRCLIP	1
34	904758	CHUCK (TO SUIT FLUID CHANNEL)	1
35	903639	FLUID CHANNEL	1
36	219633	M5 STAINLESS STEEL NYLON INSERT NUT	1
37	219706	M5 X 45MM LONG STAINLESS STEEL HEXAGONAL BOLT	1
38	911475	36V DC BRUSH DRIVEMOTOR/GEARBOX ASSEMBLY (18.67:1 RATIO) C/W TE SUPERSEAL 2 WAY CONNECTOR	1
39	911737	M6 FULL HEX FLAT HEAD OPEN RIVETNUT (NHSF-M650)	2
40	911643	LOOM ASSEMBLY.6CRT	1
41	220007	BLACK CABLE TIE	4
42	911965	170MM LONG X 5MM WIDE BLACK PUSH FIT CABLE TIE (213253000)	2
43	220844	WHITE CABLE TIE	1
44	913335	P2004.15-15 M5 MALE TO MALE ANTIVIBRATION MOUNT	3
45	291084	M5 SHAKEPROOF WASHER STAINLESS STEEL	6
46	219721	M5 STAINLESS STEEL FULL NUT	6
47	219355	M5 FORM A STAINLESS STEEL WASHER	6
48	914430	1840 WHEEL ASSEMBLY	2

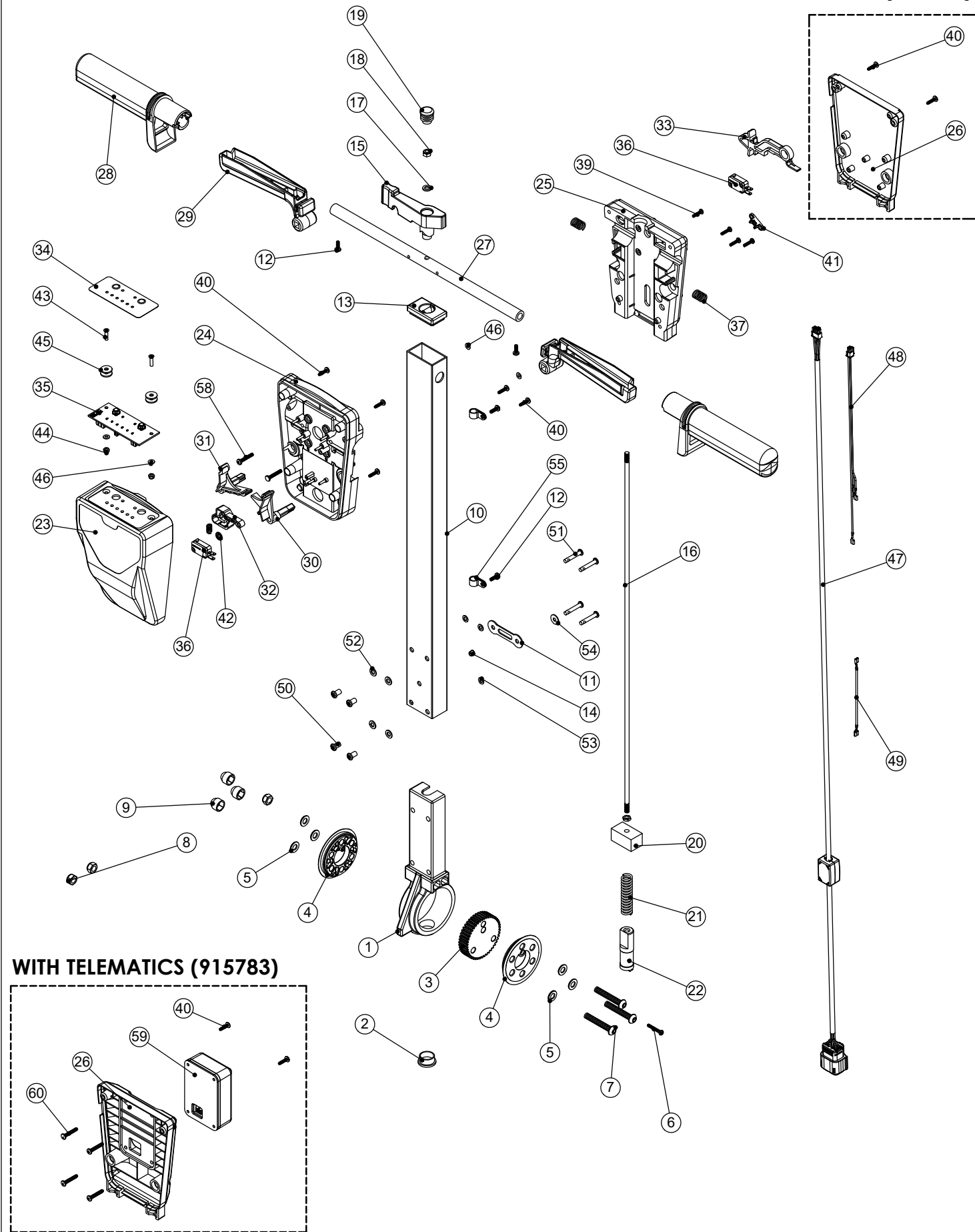
# Numatic International Spare Parts

Model No: TTB1840 36V HANDLE ASSEMBLY - EXPLODED

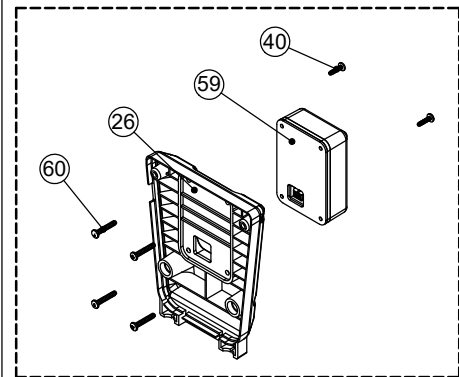
911565, 915783  
DRAWING: DRW-32358 ISS:A10  
20/09/2022

NB: FOR WIRING SEE DRAWING: DRW-32476 (911781)

## WITHOUT TELEMATICS (911565)



## WITH TELEMATICS (915783)



# Numatic International Spare Parts

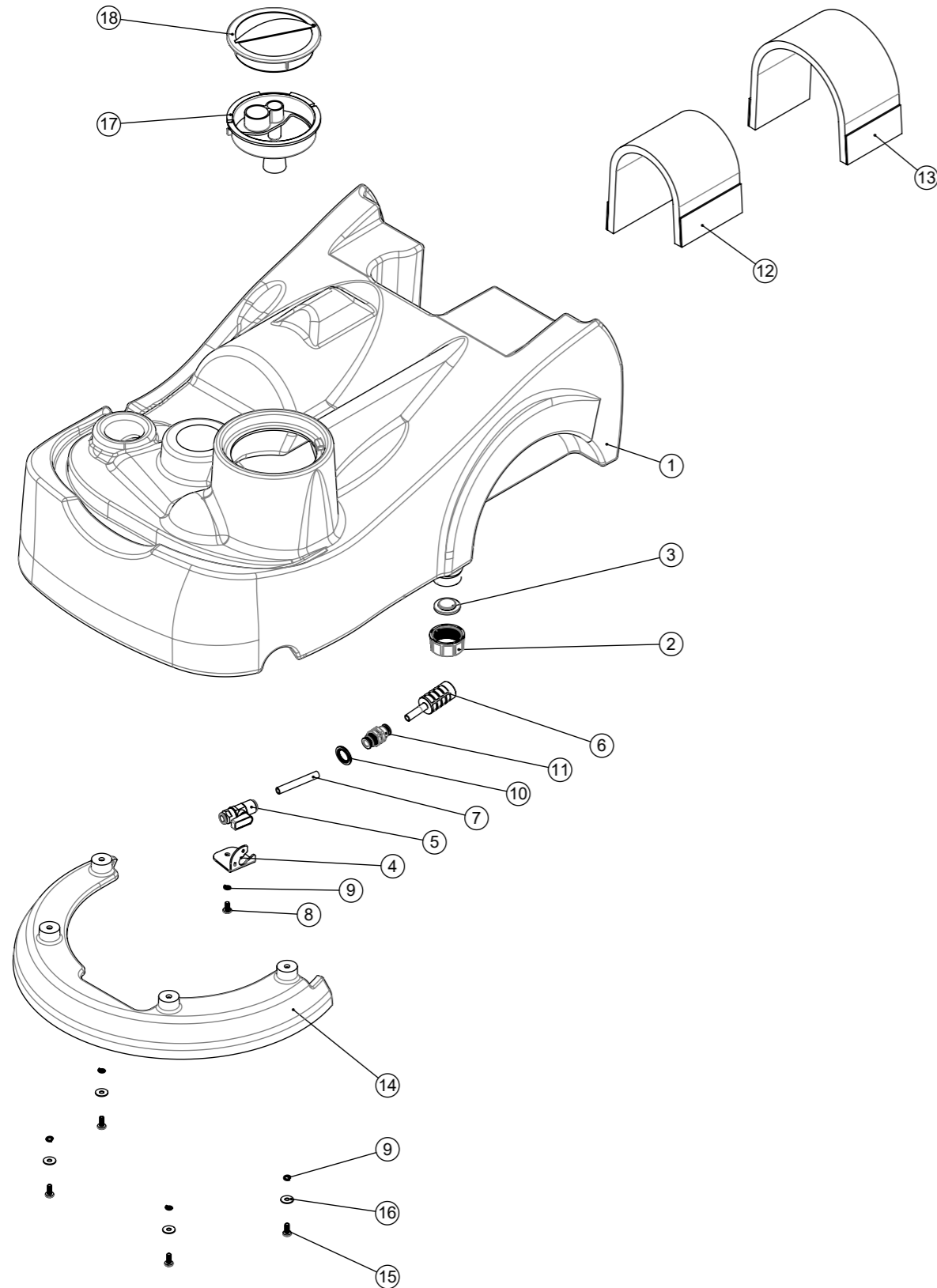
Model No: TTB1840 36V HANDLE ASSEMBLY - EXPLODED

ITEM NO.	PART NUMBER	DESCRIPTION	COMMENTS:	QTY
1	900398	HANDLE CASTING MACHINED (HNS VERSION)		1
2	229099	25MM DIA HOLE PLUG		1
3	900397	MINI ADJUSTMENT GEAR		1
4	900396	ADJUSTMENT GEAR SPACER		2
5	219578	M8 FORM A STAINLESS STEEL WASHER		6
6	291150	NO6 X 1 INCH LONG POZI PAN SCREW S/S		1
7	219922	M8 X 50MM LONG SOCKET BUTTON HEAD STAINLESS STEEL BOLT		3
8	219639	M8 STAINLESS STEEL NYLON INSERT NUT		3
9	903260	M8 BOLT AND NUT CAP		3
10	330027	TTB1840 HANDLE TUBE (600MM) PROCESSED PAINTED SILVER		1
11	229139	CABLE CLAMP		1
12	219270	No8 X 1/2 INCH LONG POZI PAN SELF TAP SCREW		4
13	903546	HANDLE PLUG MOULDING (RED)		1
14	229009	BLANKING PLUG		1
15	903545	ADJUSTMENT LEVER MOULDING (RED)		1
16	215029	610MM HANDLE LOCKING ROD		1
17	219493	M6 NYLON WASHER		1
18	219642	M6 STAINLESS STEEL NYLON INSERT NUT		1
19	20638V	19MM BLACK TUBE END STOP		1
20	229030	ANTI VIBRATION PAD		1
21	229138	SPRING 15.85MM OD 76.5MM FREE LENGTH		1
22	229073	GEAR LOCKING PIN		1
23	911562	TTB1840 36V FRONT COVER MOULDING		1
24	227576	FRONT INNER HALF MOULDING		1
25	227577	REAR INNER HALF MOULDING		1
26	227579	REAR COVER MOULDING	911565 ONLY	1
	912496	TTB1840 HANDLE REAR COVER - TELEMATICS	915783 ONLY	1
27	338269	CROSS TUBE		1
28	227580	HAND GRIP MOULDING		2
29	903547	TRIGGER MOULDING (RED)		2
30	227585	LEFT HAND SWITCH OPERATING LEVER MOULDING		1
31	227586	RIGHT HAND SWITCH OPERATING LEVER MOULDING		1
32	227587	CENTRE SWITCH OPERATING LEVER MOULDING		1
33	227584	INTERLOCK LEVER MOULDING		1
34	911348	TTB 1840 36V CONTROL PANEL OVERLAY		1
35	911543	ASSEMBLY.1840 DISPLAY		1
36	229483	SNAP ACTION SWITCH		2
37	219803	TRIGGER COMPRESSION SPRING		2
38	227666	BLANKING PLUG		1
39	219107	NO6.5/8 INCH LG.POZI-PAN.SCREW.Z/PL.PLASTITE		4
40	219370	No8 X 5/8 INCH LONG PLASTITE STAINLESS STEEL SCREW		8
41	229669	LOLINE HANDLE CABLE CLAMP		1
42	219805	4MM SPIREFIX		1
43	219407	M4 X 16MM LONG POZI PAN COUNTERSUNK SCREW		2
44	219687	M4 STAINLESS STEEL NYLON INSERT NUT		2
45	219497	M5 NYLON WASHER		4
46	219688	M4 FORM A STAINLESS STEEL WASHER		4
47	911746	LOOM ASSEMBLY.7CRT		1
48	911754	LOOM ASSEMBLY.3CRT		1
49	321627	LINK WIRE.BLACK.120.0M75.FASTON.PIGGYBACK		1
50	911783	M5 X 10MM BUTTON HEAD ST 6-LOBE PIN BARREL NUT (T25)		4
51	911785	M5 X 30 A2 ST/ST 6 LOBE PIN BARREL BOLT WITH NYLON PATCH (T25)		4
52	219870	M6 FORM A WASHER STAINLESS STEEL		4
53	219355	M5 FORM A STAINLESS STEEL WASHER		3
54	219644	M5 FORM G STAINLESS STEEL WASHER		1
55	219393	P CLIP		2
56	219099	M6 HALF NUT		1
57	219804	SWITCH COMPRESSION SPRING		1
58	219811	NO8 X 1 INCH LONG POZI-PAN SELF TAP SCREW		2
59	911544	TELEMATICS MODULE ASSEMBLY - ANTHRACITE GREY	915783 ONLY	1
60	219569	No8 X 1/2 INCH LONG POZI PAN STAINLESS STEEL TAPTITE SCREW	915783 ONLY	1

# Numatic International Spare Parts

**Model No:** TTB (& HTB) 1840 AND 36V 1840 NX BOTTOM TANK - EXPLODED

903930, 913406  
DRAWING: DRW-32395 ISS:A21  
16/12/2020



# Numatic International Spare Parts

**Model No:** TTB (& HTB) 1840 AND 36V 1840 NX BOTTOM TANK - EXPLODED

ITEM NO.	PART NUMBER	DESCRIPTION	QTY	COMMENTS:
1	237228	TTB 1840 CLEAN TANK	1	
2	906415	CAP MOULDING	1	
3	905467	SEALING BUNG	1	
4	392125	TTB 1840 TAP PLATE	1	
5	216260	MINI BALL VALVE	1	
6	303961	TANK FILTER ASSEMBLY	1	
7	303960	TANK FILTER TUBE	1	
8	219668	M5 X 10MM LONG POZI PAN STAINLESS STEEL SCREW	1	
9	219861	M5 SINGLE COIL STAINLESS STEEL WASHER	5	
10	208525	BONDED SEAL	1	
11	902109	8MM PUSH FIT BRASS BULKHEAD FITTING	1	
12	208479	TTB 1840 FOAM PAD (100 X 320)	1	903930 TTB (& HTB) 1840 BOTTOM TANK ASSEMBLY
13	208478	TTB 1840 FOAM PAD (90 X 370)	1	903930 TTB (& HTB) 1840 BOTTOM TANK ASSEMBLY
	913373	36V TTB 1840 NX FOAM PAD (90 X 370)	1	913406 TTB (& HTB) 36V 1840 NX BOTTOM TANK ASSEMBLY
14	237233	TTB 1840 DECK MOULDING (GRAPHITE)	1	
15	219740	M5 X 12MM LONG STAINLESS STEEL POZI PAN SCREW	4	
16	219644	M5 FORM G STAINLESS STEEL WASHER	4	
17	303985	TTB 1840 FILLER CAP ASSEMBLY	1	
18	903544	FILLER CAP LID (RED)	1	

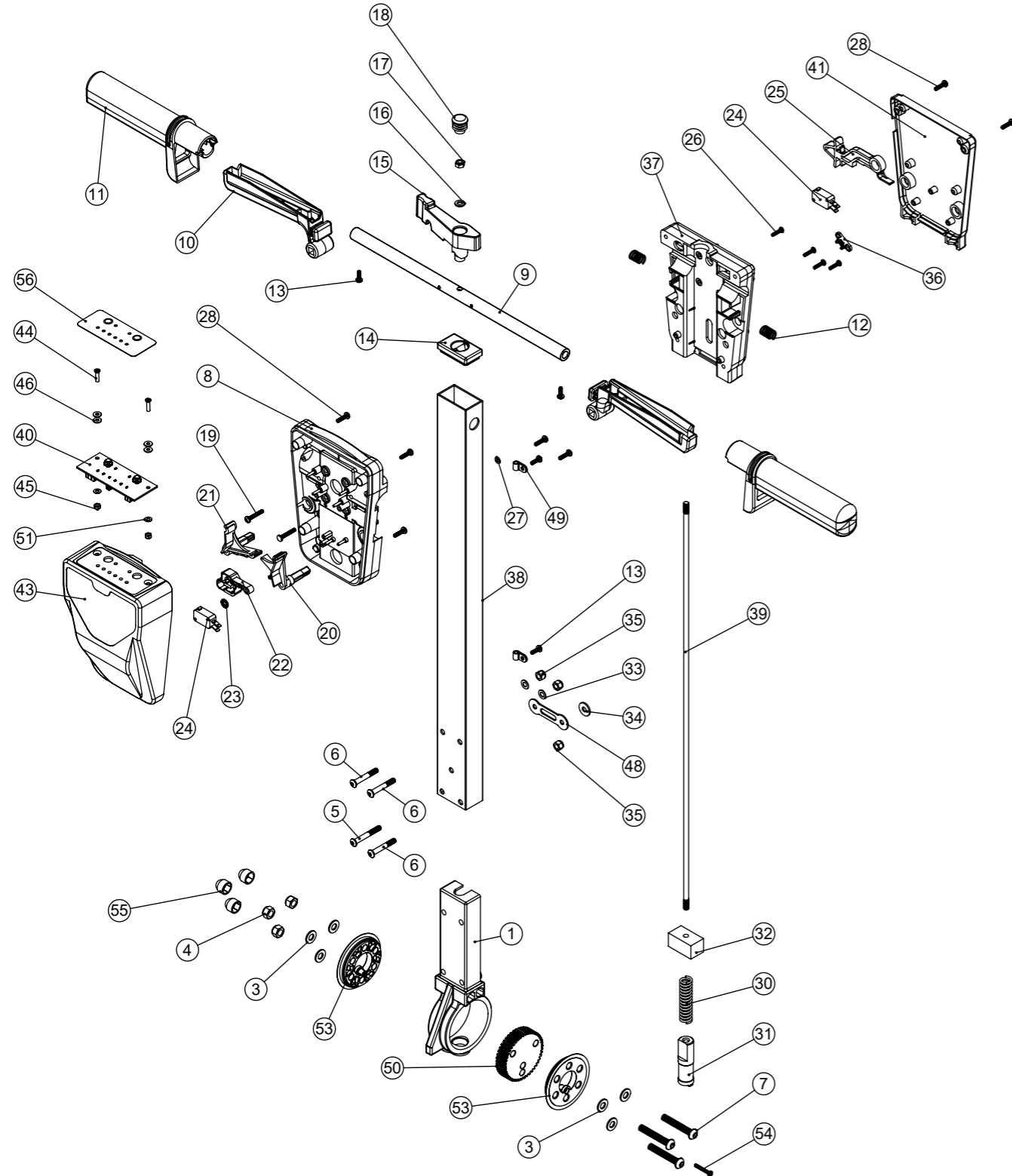
# Numatic International Spare Parts

Model No: TTB 36V 1840 HANDLE ASSEMBLY

NB: FOR WIRING SEE DRAWING: WD-0????

911565

DRAWING: DRW-32358 ISS:A01



# Numatic International Spare Parts

Model No: TTB 36V 1840 HANDLE ASSEMBLY

ITEM NO.	PART NUMBER	DESCRIPTION	QTY	COMMENTS:
1	900398	HANDLE CASTING MACHINED (HNS VERSION)	1	
2	229099	25MM DIA HOLE PLUG	1	
3	219010	M8 FORM A WASHER	6	
4	219078	NUT.M8.NYLON INSERT.Z/PL	3	
5	219881	M6 X 45MM SOCKET BUTTON HEAD SCREW	1	
6	219807	M6 X 40MM LONG SOCKET BUTTON HEAD BOLT	3	
7	219922	M8 X 50MM LONG SOCKET BUTTON HEAD STAINLESS STEEL BOLT	3	
8	227576	FRONT INNER HALF MOULDING	1	
9	338269	CROSS TUBE	2	
10	903547	TRIGGER MOULDING (RED)	2	
11	227580	HAND GRIP MOULDING	2	
12	219803	TRIGGER COMPRESSION SPRING	2	
13	219270	No8 X 1/2 INCH LONG POZI PAN SELF TAP SCREW	4	
14	903546	HANDLE PLUG MOULDING (RED)	1	
15	903545	ADJUSTMENT LEVER MOULDING (RED)	1	
16	219493	M6 NYLON WASHER	1	
17	219642	M6 STAINLESS STEEL NYLON INSERT NUT	1	
18	20638V	19MM BLACK TUBE END STOP	1	
19	219811	NO8 X 1 INCH LONG POZI-PAN SELF TAP SCREW	2	
20	227585	LEFT HAND SWITCH OPERATING LEVER MOULDING	1	
21	227586	RIGHT HAND SWITCH OPERATING LEVER MOULDING	1	
22	227587	CENTRE SWITCH OPERATING LEVER MOULDING	1	
23	219805	4MM SPIREFIX	1	
24	229483	SNAP ACTION SWITCH	2	
25	227584	INTERLOCK LEVER MOULDING	1	
26	219107	NO6.5/8 INCH LG.POZI-PAN.SCREW.Z/PL.PLASTITE	4	
27	219206	M4 FORM A WASHER	2	
28	219105	No8 X 5/8 INCH LONG POZI PAN PLASTITE SCREW	8	
29	227666	BLANKING PLUG	1	
30	229138	SPRING	1	
31	229073	GEAR LOCKING PIN	1	
32	229030	ANTI VIBRATION PAD	1	
33	219007	M6 FORM B WASHER	3	
34	219008	M6 FORM G WASHER	1	
35	219088	M6 NYLON INSERT NUT	4	
36	229669	LOLINE HANDLE CABLE CLAMP	1	
37	229509	REAR INNER HALF MOULDING	1	
38	429132		1	
39	215029	610MM HANDLE LOCKING ROD	1	
40	N/A	TTB1840 36V CONTROL PCB	1	
41	227579	REAR COVER MOULDING	1	
42	208469	TTB 1840 4 CORE LOOM ASSEMBLY	1	
43	911562	TTB1840 36V FRONT COVER MOULDING	1	
44	219407	M4 X 16MM LONG POZI PAN COUNTERSUNK SCREW	2	
45	219083	M4 NYLON INSERT NUT	2	
46	208521	NYLON WASHER 10.0 OD X 4.1 ID X 1.0MM	4	
47	208486	LOOM ASSEMBLY.3CRT	1	
48	229139	CABLE CLAMP	1	
49	208496	P CLIP	2	
50	900397	MINI ADJUSTMENT GEAR	1	
51	219688	M4 FORM A STAINLESS STEEL WASHER	2	
52	229009	BLANKING PLUG	1	
53	900396	ADJUSTMENT GEAR SPACER	2	
54	291150	NO6 X 1 INCH LONG POZI PAN SCREW S/S	1	
55	903260	M8 BOLT AND NUT CAP	3	
56	911348	TTB 1840 36V CONTROL PANEL OVERLAY	1	