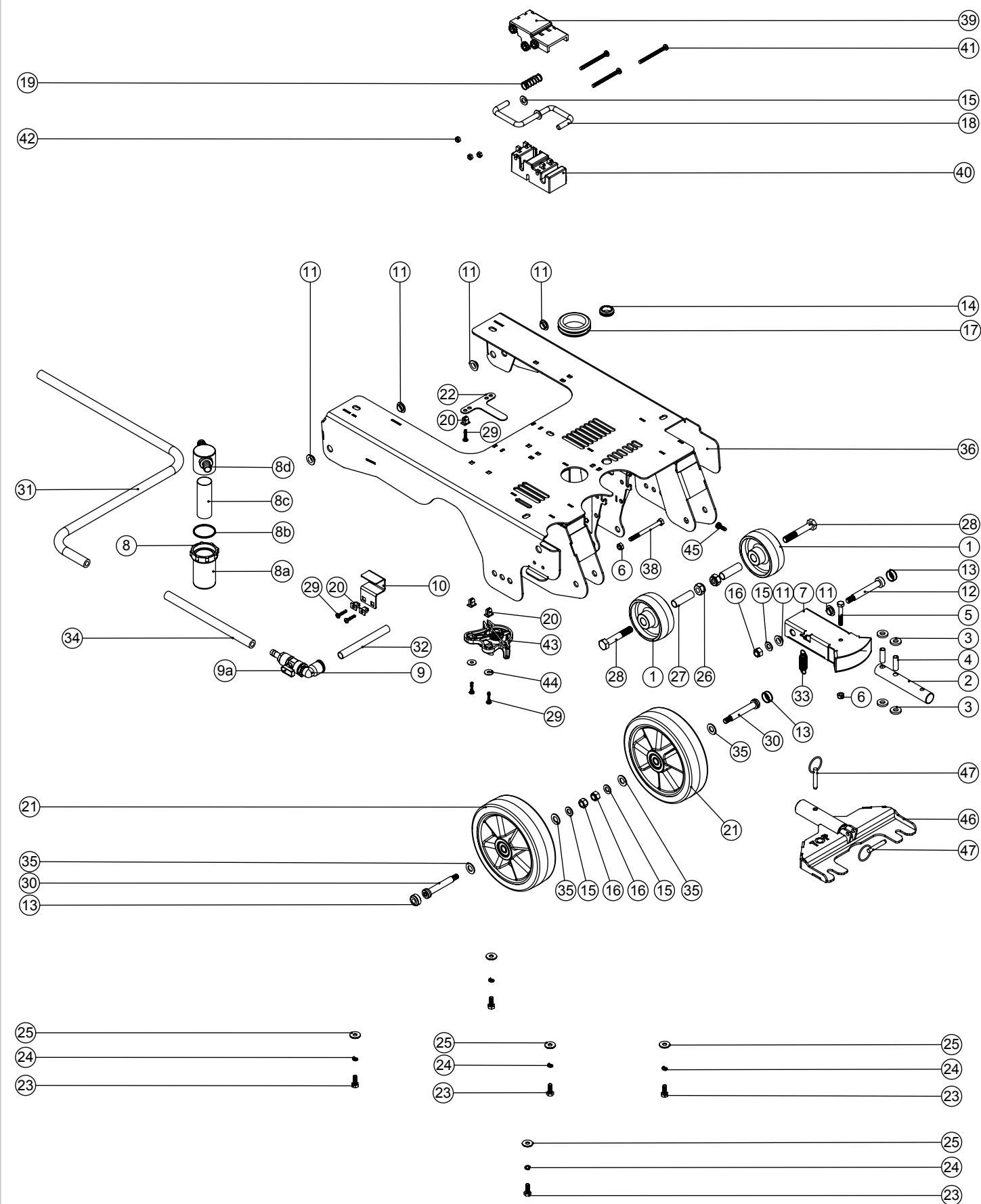


Numatic International Spare Parts

Model No: TT4045 (TT1117) & TT4055 (TT1120) & TTB3045 CHASSIS ASSEMBLY

Internal Code: 244496
DRAWING: DRW-16813 ISS:A10
28/06/2016



Numatic International Spare Parts

Model No: TT4045 (TT1117) & TT4055 (TT1120) & TTB3045 CHASSIS ASSEMBLY

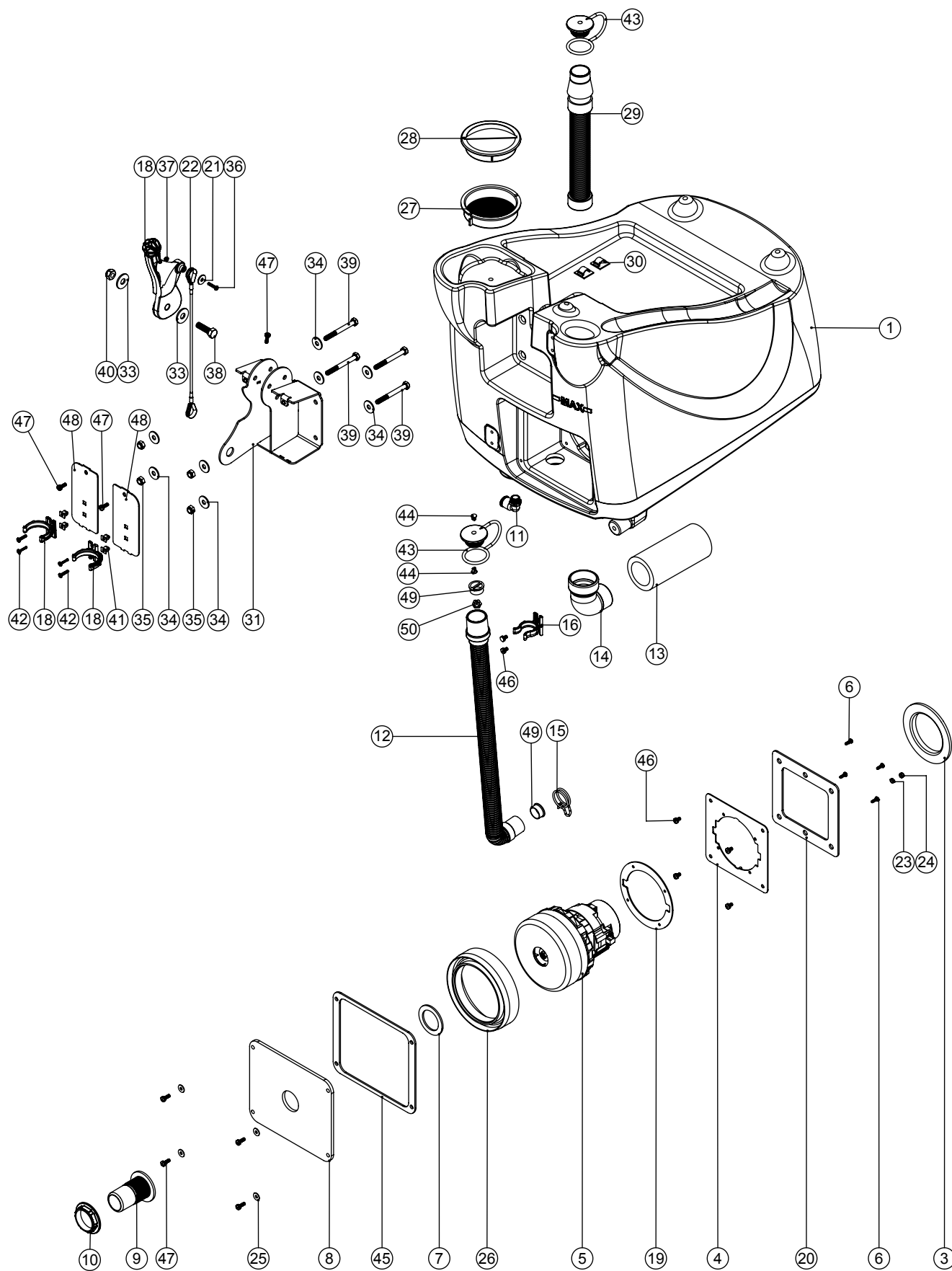
ITEM:	PART No:	Description	Comments:	QTY.
1	206713	80MM DIAMETER WHITE WHEEL		2
2	304356	FLOOR TOOL PIVOT TUBE		1
3	206964	SLIDE NYLON SPACER		4
4	206954	SPIRO SPACER		2
5	291125	M6 X 40 LONG HEX BOLT STAINLESS STEEL		1
6	219642	M6 STAINLESS STEEL NYLON INSERT NUT		2
7	304359	TT/TTB/4045/4055 SQUEEGEE MOUNT WELD ASSEMBLY		1
8	208888	EXTENDED STRAINER		1
8a	208890	EXTENDED STRAINER CLEAR BOWL	SPARE ITEM	1
8b	208830	STRAINER GASKET	SPARE ITEM	1
8c	208889	EXTENDED STRAINER 50 MESH SCREEN	SPARE ITEM	1
8d	208827	STRAINER BLACK TOP	SPARE ITEM	1
9	901543	12MM SWIVEL ELBOW PUSH FIT TO 10MM HOSE TAIL BALL VALVE ASSEMBLY		1
9a	901544	TAP HANDLE C/W COVER AND M3X6MM SCREW (SPARE ITEM)	SPARE ITEM	1
10	392314	10MM TAP BRACKET		1
11	208312	IGUS BEARING (GFM 101205)		6
12	208574	M8 X 10 X 60 SHOULDER BOLT		1
13	237632	SHOULDER BOLT COVER		3
14	219631	19MM GROMMET		1
15	219578	M8 FORM A STAINLESS STEEL WASHER		4
16	219639	M8 STAINLESS STEEL NYLON INSERT NUT		3
17	208771	TPR OPEN GROMMET	TT4045/55 ONLY (MAINS)	1
18	304358	DECK LOCK BAR WELD ASSEMBLY		1
19	208578	DECK LOCK SPRING		1
20	900986	NYLON GROMMET NUT (PLASTIC INSERT TO SUIT No 8 PLASTITE SCREW)		5
21	208638	160mm WHEEL WITH POLYURETHENE TYRE		2
22	321902	SILENCER CLAMP	TT4045/55 ONLY (MAINS)	1
23	219719	M6 X 16MM LONG HEXAGONAL STAINLESS STEEL HEAD BOLT		5
24	219718	WASHER.M6.SPRING.STAINLESS STEEL		5
25	219647	M6 FORM G STAINLESS STEEL WASHER		5
26	219897	M10 STAINLESS STEEL NYLON INSERT NUT		2
27	391440	1/2 INCH X 18G X 41MM LONG STAINLESS STEEL SPACER TUBE		2
28	219894	M10 X 60MM LONG HEXAGONAL STAINLESS STEEL BOLT		2
29	219568	NO8.3/4 INCH LG.POZI-PAN.SCREW.STAINLESS STEEL.PLASTITE		5
30	291057	M8 X 10 X 55MM LONG HEX SOCKET SHOULDER BOLT		2
31	391216	SILICON TUBE 8MM I/D X 3.2MM WALL SECTION (CUT 600MM)		1
32	901555	NYLON TUBE 12MM OD X 10MM ID (110MM)		1
33	208619	FLOOR TOOL SPRING		1
34	391215	SILICON TUBE 200MM LONG X 8MM I/D X 3.2MM WALL SECTION		1
35	219903	M10 FORM A STAINLESS STEEL WASHER		4
36	900213	TT/4045/4055 CHASSIS WELD ASSY (12SWG S/S) (2014 MODEL)		1
37	219558	M5 STAINLESS STEEL NUTSERT		1
38	291167	M6 X 70MM LONG HEX HEAD BOLT STAINLESS STEEL		1
39	901279	LATCH BLOCK TOP MOULDING		1
40	901280	LATCH BLOCK BOTTOM MOULDING		1
41	901558	M5 X 60MM STAINLESS STEEL POZI PAN MACHINE SCREW		3
42	219633	M5 STAINLESS STEEL NYLON INSERT NUT		3
43	901006	FILTER MOUNTING BRACKET		1
44	219644	M5 FORM G STAINLESS STEEL WASHER		2
45	291132	M5 X 16MM LONG STAINLESS STEEL POZI PAN SEMS SCREW		1
46	304466	FLOOR TOOL BRACKET ASSEMBLY (TT/TTB4045/4055)		1
47	206953	DETENT PINS		2

Numatic International Spare Parts

Model No: TT4045 (TT1117) & TTB4055 (TT1120) BOTTOM TANK / VAC MOTOR ASSEMBLY

Internal Code: 244497
DRAWING: DRW-16829 ISS:A19
02/03/2017

NB: FOR WIRING SEE DRAWING: DRW-18548, DRW-17307, DRW-17309, DRW-18468
NOTE: HT MODELS USE HFM STYLE MOTOR 230V50Hz DRW-21894 115V50Hz DRW-21891



Numatic International Spare Parts

Model No: TT4045 (TT1117) & TTB4055 (TT1120) BOTTOM TANK / VAC MOTOR ASSEMBLY

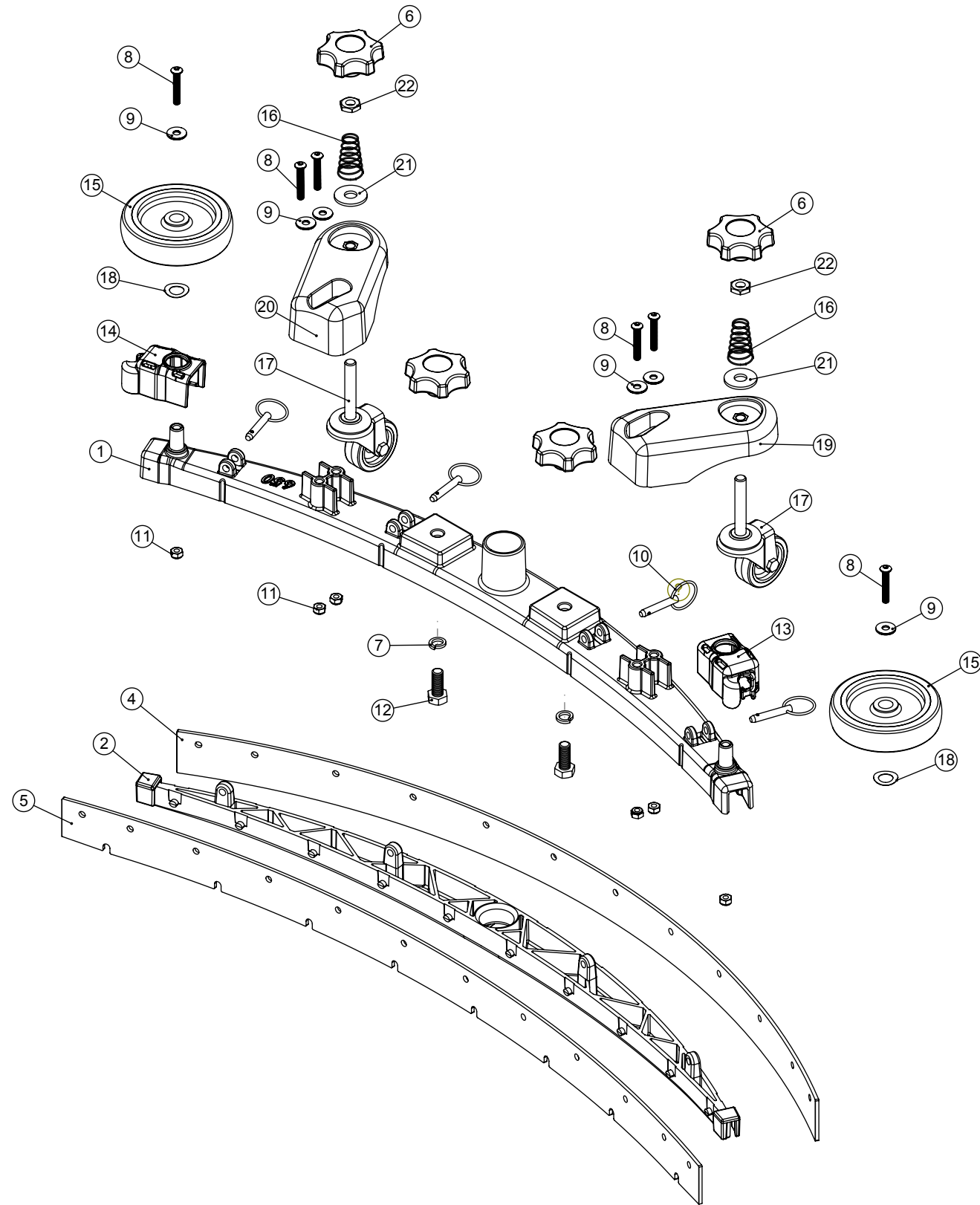
ITEM:	PART No:	Description	Comments:	QTY.
1	237657	TT.4055 BOTTOM TANK MOULDING (GRAPHITE)		1
	237689	TT.4055 BOTTOM TANK MOULDING (GRAPHITE) EP		1
	907515	HT4045 BOTTOM TANK MOULDING (RED)		1
3	202008	MOTOR CAP GASKET		1
4	304417	MAINS MOTOR MOUNT WELD ASSEMBLY		1
5	205443	230V 2 STAGE D.I BYPASS ACUSTEK MOTOR (BL21104T) (MARKED 230V) TCO		1
	321935	120V VAC MOTOR ASSEMBLY C/W 170MM LONG MOTOR LEAD	110V/50Hz & 120V/60Hz NACE 8A OVERLOAD, OLDER BLUE MACHINES	1
	905736	120V 800W VAC MOTOR ASSEMBLY C/W 170MM LONG MOTOR LEAD	120V 60Hz 800W VAC, NACE, 15A OVERLOAD, GREY MACHINES	1
6	219569	NO8.1/2 INCH. LG.POZI-PAN.SCREW.STAINLESS STEEL.PLASTITE		4
7	219310	RUBBER WASHER		1
8	392441	TT4045/55 VAC MOTOR BACK PLATE		1
9	237526	38MM RED DRAIN HOSE CONNECTOR		1
10	206116	BLACK NUT		1
11	901539	ELBOW ANGLE CONNECTOR 3/8 PARALLEL THREAD C/W O-RING TO 12MM PUSH IN		1
12	213025	DUMP HOSE		1
13	208956	SILENCER FOAM TUBE 150MM		1
14	208583	DIP MOULDED ELBOW (MAINS VERSION)		1
15	902133	SPRING WIRE CLAMP (YDNAC-Y8010356)		1
16	901916	28mm HOSE CLIP		1
18	237754	35-38MM HOSE CLIP		2
18	237691	SQUEEGEE LIFT HANDLE		1
	902324	RED SQUEEGEE LIFT HANDLE		1
19	208801	TT MOTOR GASKET		1
20	208799	TT MOTOR PLATE GASKET		1
21	291118	M5 STAINLESS STEEL WASHER 19MM OD		1
22	208962	TT LIFTING WIRE		1
23	219721	M5 STAINLESS STEEL FULL NUT		1
24	219633	M5 STAINLESS STEEL NYLON INSERT NUT		1
25	219644	M5 FORM G STAINLESS STEEL WASHER		4
26	202069	BOTTOM MOTOR GASKET		1
27	207128	CLEAN TANK INLET FILTER		1
	903543	CLEAN TANK INLET FILTER (RED)		1
28	237268	FILLER CAP LID		1
	903544	FILLER CAP LID (RED)		1
29	208960	TTB/TT FILLING HOSE		1
30	220403	CABLE CLIP		2
31	404216	HANDLE MOUNT WELD ASSEMBLY - Z/PL		1
32	219558	M5 STAINLESS STEEL NUTSERT		3
33	291124	M10 PENNY WASHER STAINLESS STEEL		2
34	219716	M8 FORM G STAINLESS STEEL WASHER		8
35	219639	M8 STAINLESS STEEL NYLON INSERT NUT		4
36	219686	M4 X 20MM LONG STAINLESS STEEL POZI PAN MACHINE SCREW		1
37	219687	M4 STAINLESS STEEL NYLON INSERT NUT		1
38	219895	M10 X 35MM LONG HEXAGONAL STAINLESS STEEL SCREW		1
39	291123	M8 X 75 LONG HEX HEAD BOLT STAINLESS STEEL		4
40	219897	M10 STAINLESS STEEL NYLON INSERT NUT		1
41	900986	NYLON GROMMET NUT (PLASTIC INSERT TO SUIT No 8 PLASTITE SCREW)		4
42	219568	NO8.3/4 INCH LG.POZI-PAN.SCREW.STAINLESS STEEL.PLASTITE		4
43	903341	32MM HOSE CAP RED (C/W 8MM HOLE)		2
44	904403	BARBED RIVET BLACK		2
45	902275	VAC PLATE GASKET		1
46	291135	M5 X 10MM LONG STAINLESS STEEL POZI PAN SEMS SCREW		6
47	291132	M5 X 16MM LONG STAINLESS STEEL POZI PAN SEMS SCREW		7
48	903539	HANDLE MOUNT COVER PAINTED SILVER		2
49	904108	FLOAT STOP MOULDING		2
50	904109	FLOAT MOULDING		1

Numatic International Spare Parts

Model No: 650 TWINTEC ALUMINIUM FLOOR TOOL (38MM HOSE, RED TRIM, SERILOR BLADES)

Internal Code: 903347
 DRAWING: DRW-22621 ISS:A09
 PRO 27/03/2018

NB: FOR WIRING SEE DRAWING: N/A



Numatic International Spare Parts

Model No: 650 TWINTEC ALUMINIUM FLOOR TOOL (38MM HOSE, RED TRIM, SERILOR BLADES)

ITEM:	PART No:	Description	Qty
1	208198	(650MM SCRUB WIDTH) ALUMINIUM SQUEEGEE CASTING (38MM HOSE FITTING)	1
2	903345	(650MM SCRUB WIDTH) RED BLADE HOLDER MOULDING (SLOPING PROFILE) (32MM & 38MM HOSE FITTING)	1
	900518	650 REPLACEMENT SERILOR GREEN POLYURETHANE BLADES SET	
4	208970	(650MM SCRUB WIDTH) REPLACEMENT (4.0MM / 35-45-35 SHORE A) REAR LAMINATED SERILOR POLY/BLADE (847MM LONG)	1
5	208967	(650MM SCRUB WIDTH) REPLACEMENT (3.2MM / 40 SHORE A) FRONT MONOLAYER SERILOR POLY/BLADE (819MM LONG)	1
6	903281	M10 LOBE KNOB (RED)	4
7	219899	M10 SINGLE COIL STAINLESS STEEL WASHER	2
8	219933	M6 X 35MM SOCKET BUTTON HEAD BOLT STAINLESS STEEL	6
9	219647	M6 FORM G STAINLESS STEEL WASHER	6
10	206953	DETENT PINS	4
11	219642	M6 STAINLESS STEEL NYLON INSERT NUT	6
12	219909	M10 X 25MM LONG HEXAGONAL STAINLESS STEEL SCREW	2
13	237322	RIGHT HAND FLOOR TOOL CLIP MOULDING	1
14	237323	LEFT HAND FLOOR TOOL CLIP MOULDING	1
15	208796	4 INCH WHEEL	2
16	229175	CONICAL SPRING	2
17	907759	50MM DIAMETER GREY TPR TYRED SWIVEL CASTOR C/W M10 X 60 SWAGED STEM.	2
18	219891	13MM WAVEY WASHER	2
19	906860	ADJUSTABLE FLOOR TOOL CASTOR PLASTIC PLATE LEFT	1
20	906859	ADJUSTABLE FLOOR TOOL CASTOR PLASTIC PLATE RIGHT	1
21	291124	M10 PENNY WASHER STAINLESS STEEL	2
22	219951	A4 (STAINLESS STEEL) M10 HEX LOCK NUT (HALF NUT)	2

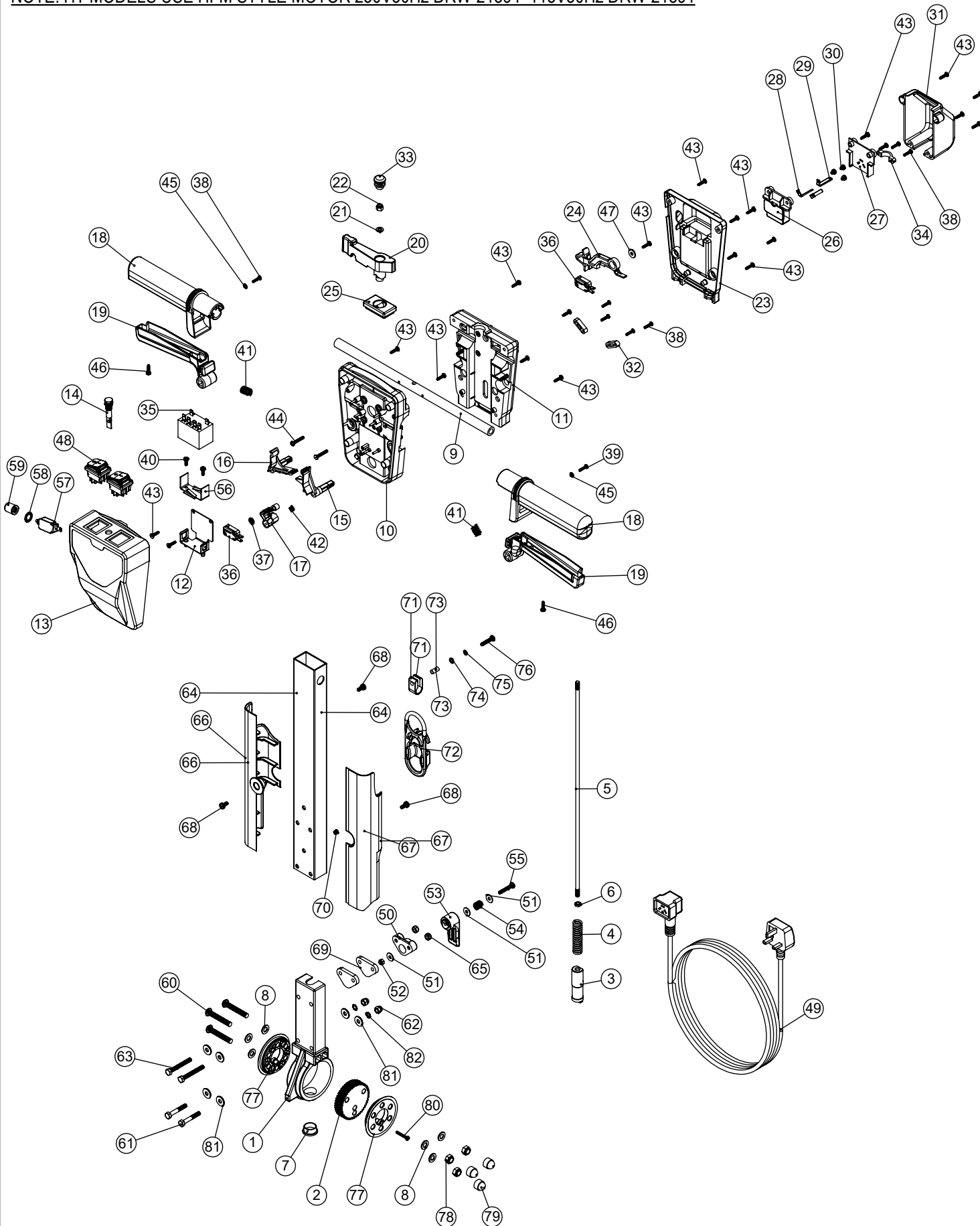
Numatic International Spare Parts

Model No: TT4045 (TT1117) & TT4055 (TT1120) HANDLE ASSEMBLY EXPLODED

Internal Code: 244495
DRAWING: DRW-16831 ISS:A24
01/03/2022

NB: FOR WIRING SEE DRAWING: DRW-18548, DRW-17307, DRW-17309, DRW-18468

NOTE: HT MODELS USE HFM STYLE MOTOR 230V50Hz DRW-21894 115V50Hz DRW-21891



Numatic International Spare Parts

Model No: TT4045 (TT1117) & TT4055 (TT1120) HANDLE ASSEMBLY EXPLODED

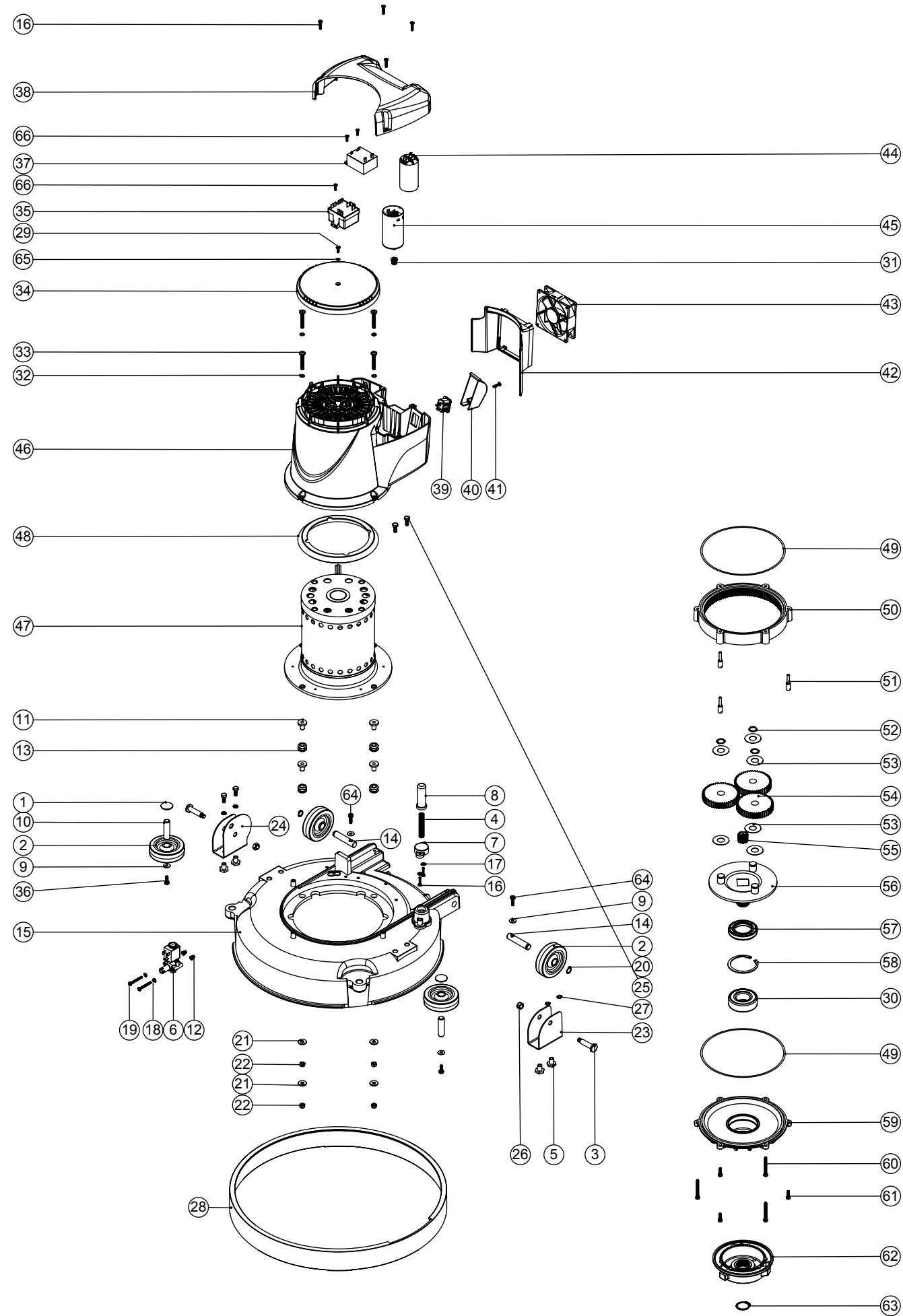
ITEM:	PART No:	DESCRIPTION	COMMENTS:
1	900398	HANDLE CASTING MACHINED (HNS VERSION)	
2	900397	MINI ADJUSTMENT GEAR	
3	229073	GEAR LOCKING PIN	
4	229138	SPRING	
5	229461	440MM HANDLE LOCKING ROD	
6	219099	M6 HALF NUT	
7	229099	25MM DIA HOLE PLUG	
8	219578	M8 FORM A STAINLESS STEEL WASHER	
9	338269	CROSS TUBE	
10	227576	FRONT INNER HALF MOULDING	FOR HT MODELS 237542
	229508	FRONT INNER HALF MOULDING (FR)	CSA SPEC
	229509	REAR INNER HALF MOULDING (FR)	FOR HT MODELS 237543
	329484	MODIFIED REAR INNER HALF MOULDING (FR)	CSA SPEC
12	303526	NUTSERTED RELAY MOUNTING BRACKET	
	229748	FRONT COVER MOULDING (MAINS & BATTERY)	FOR HT MODELS 907547
	229750	MAINS FRONT COVER MOULDING (C/B HOLE)	110V/50HZ MACHINES
	229751	MAINS FRONT COVER MOULDING (FR) (C/B HOLE)	120V/60HZ (FR) MACHINES
14	220812	230V NEON INDICATOR & RED LENS	
	220813	120V NEON INDICATOR & RED LENS	
15	227585	LEFT HAND SWITCH OPERATING LEVER MOULDING	
16	227586	RIGHT HAND SWITCH OPERATING LEVER MOULDING	
17	227587	CENTRE SWITCH OPERATING LEVER MOULDING	
18	227580	HAND GRIP MOULDING	FOR HT MODELS 237544
	229500	TRIGGER MOULDING BLUE	
	227581	TRIGGER MOULDING (GREY)	
	903547	TRIGGER MOULDING (RED)	
20	227583	ADJUSTMENT LEVER MOULDING	
	903545	ADJUSTMENT LEVER MOULDING RED	
21	219493	M6 NYLON WASHER	
22	219088	M6 NYLON INSERT NUT	
	227676	REAR COVER	FOR HT MODELS 907550
	229507	MAINS TYPE REAR COVER MOULDING (FR)	CSA SPEC
24	227584	INTERLOCK LEVER MOULDING	
25	227582	HANDLE PLUG MOULDING	
26	227691	TERMINAL BLOCK	
	229510	TERMINAL BLOCK (FR)	CSA SPEC
27	227680	TERMINAL BLOCK COVER	
	229511	TERMINAL BLOCK COVER (FR)	CSA SPEC
28	206562	CONTACT PIN	
29	206563	EARTH CONTACT PIN	
30	219090	M4 X 8MM LONG POZI-PAN SEMS SCREW Z/PL	
	227678	SOCKET COVER	FOR HT MODELS 907551
	229512	INLET COVER (FR)	CSA SPEC
32	227008	BLACK CABLE CLAMP	
33	20638V	19MM BLACK TUBE END STOP	
34	216290	CABLE CLAMP 16A PLUGGED	
35	206575	240V / 25A RELAY	
	206576	100V-120V/25A RELAY	
36	229483	SNAP ACTION SWITCH	
37	219805	4MM SPIREX	
38	219914	NO6 5/8 INCH LG. POZI-PAN SCREW STAINLESS STEEL PLASTITE	
39	219107	NO6 5/8 INCH LG. POZI-PAN SCREW Z/PL PLASTITE	
40	219471	M4 X 12MM LONG POZI PAN SEMS SCREW	
41	219803	TRIGGER COMPRESSION SPRING	
42	219804	SWITCH COMPRESSION SPRING	
43	219370	No8 X 5/8 INCH LONG PLASTITE STAINLESS STEEL SCREW	
44	219811	NO8 X 1 INCH LONG POZI-PAN SELF TAP SCREW	
45	219206	M4 FORM A WASHER	
46	219036	No8 X 5/8 INCH LONG POZI PAN SELF TAPPING SCREW	
47	219005	M5 FORM G WASHER	
48	270146	EVERAL SWITCH DPST GREEN ILLUMINATED WITH MEMBRANE 120/250V	
	904042	EVERAL SWITCH DPST RED ILLUMINATED WITH MEMBRANE 120/240V	
	236012	20.0M X 1.50MM X 3 CORE NUCABLE (UK PLUG)	
	236132	20.0M X 1.5mm X 3 CORE YELLOW CABLE X SOCKET (EURO PLUG)	
	236020	20.0M X 1.5mm X 3 CORE NUCABLE (SWISS PLUG)	
	236024	20.0M X 1.5mm X 3 CORE NUCABLE (SOUTH AFRICAN PLUG)	
	236068	20.0M X 1.5mm X 3 CORE CABLE (16A SOCKET + 10A PLUG) AUSTRALIAN	
	236118	20.0M X 1.5mm X 3 CORE NUCABLE (16 AMP INDUSTRIAL PLUG)	
	236028	20.0M X 14AWG X 3 CORE YELLOW NUCABLE (CSA PLUG)	
50	227806	CABLE RELEASE BASE MOULDING	
	903882	CABLE RELEASE BASE MOULDING (RED)	
51	219644	M5 FORM G STAINLESS STEEL WASHER	
52	219076	M5 NYLON INSERT NUT	
53	227807	CABLE RELEASE TOP MOULDING	
	903883	CABLE RELEASE TOP MOULDING (RED)	
54	206599	SPRING (REF:C5514370)	
55	219720	M5 X 30MM LONG STAINLESS STEEL POZI PAN SCREW	
56	206500	RELAY BRACKET	
57	220440	8 AMP OVERLOAD	120V/60HZ OLDER BLUE MACHINES
58	219702	M10 INTERNAL LOCK WASHER	110V & 120V MACHINES
59	220459	OVERLOAD DUST COVER	110V & 120V MACHINES
60	219922	M8 X 50MM LONG SOCKET BUTTON HEAD STAINLESS STEEL BOLT	
61	291125	M6 X 40 LONG HEX BOLT STAINLESS STEEL	
62	219764	M6 STAINLESS STEEL DOME NUT	
63	291128	M6 X 50 LONG HEX BOLT STAINLESS STEEL	
64	903603	TGB/TTG 430MM PROCESSED ALI HANDLE PAINT SILVER	
65	219642	M6 STAINLESS STEEL NYLON INSERT NUT	
66	237692	HANDLE CABLE COVER L/H	FOR HT MODELS 904907
67	237693	HANDLE CABLE COVER R/H	FOR HT MODELS 904908
68	291131	M5 X 12MM LONG STAINLESS STEEL POZI PAN SEMS SCREW	
69	392437	RETAINER SPACER	
70	229009	BLANKING PLUG	
71	219743	CABLE CLEAT	
72	902312	CABLE STRESS RELIEF	
73	903192	SPIROL SPACER SP100 5MM NOM ID x 14MM	
74	219355	M5 FORM A STAINLESS STEEL WASHER	
75	219016	M5 SHAKEPROOF WASHER	
76	219575	M5 X 25MM LONG POZI PAN STAINLESS STEEL SCREW	
77	900396	ADJUSTMENT GEAR SPACER	
78	219639	M8 STAINLESS STEEL NYLON INSERT NUT	
79	903260	M8 BOLT AND NUT CAP	
80	291150	NO6 X 1 INCH LONG POZI PAN SCREW S/S	
81	219647	M6 FORM G STAINLESS STEEL WASHER	
82	902353	M6 EXTERNAL SHAKEPROOF WASHER STAINLESS STEEL	

Numatic International Spare Parts

Model No: 450MM MAINS DECK ASSEMBLY EXPLODED DRAWING

234956
DRAWING: DRW-13427 ISS:A21
02/03/2017

NB: FOR WIRING SEE DRAWING: DRW-18548, DRW-17307, DRW-17309, DRW-18468, DRW-11855, DRW-12474, DRW-12545



Numatic International Spare Parts

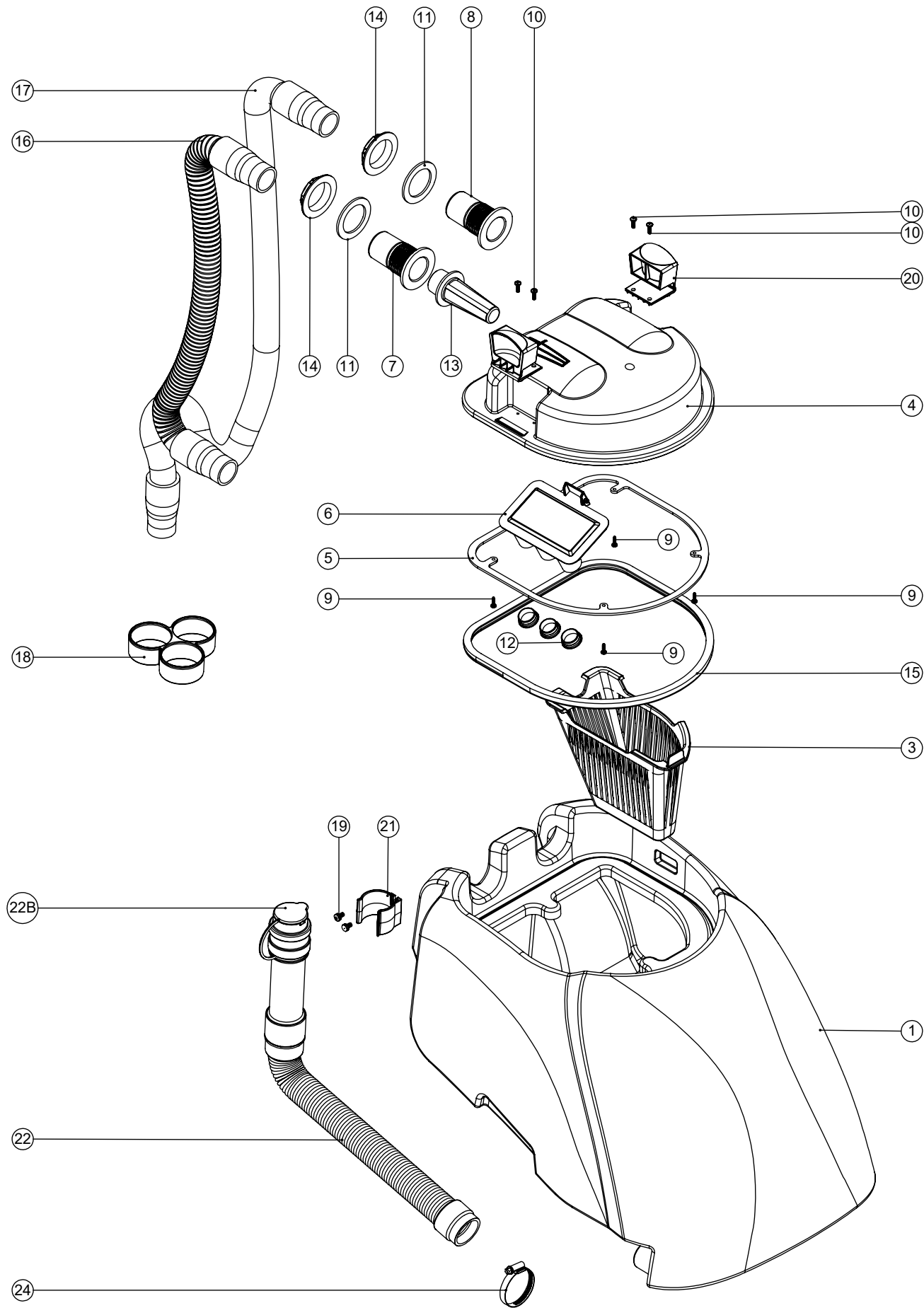
Model No: 450MM MAINS DECK ASSEMBLY EXPLODED DRAWING

ITEM:	PART No:	Description	Comments	QTY.
1	204021	12.7MM STAINLESS STEEL HUB CAP		2
2	204068	3 INCH GREY WHEEL		4
3	206236	PIVOT PIN		2
4	219394	COMPRESSION SPRING		1
5	219606	BRACKET SPACER		4
6	220348	SOLENOID VALVE 240V 50/60HZ		1
	220349	SOLENOID VALVE 220V60HZ		1
	220350	SOLENOID VALVE 110V 50/60HZ		1
7	223242	PLUNGER MOUNTING PLATE MOULDING		1
8	229128	PLUNGER		1
9	219644	M5 FORM G STAINLESS STEEL WASHER		4
10	206013	BUFFER WHEEL PIN		2
11	208011	MOTOR MOUNTING SPACER		4
12	219009	M4 BRASS TAPPEX INSERT		2
13	229025	STANDARD GROMMET		4
14	229382	REAR WHEEL PIN		2
15	229258	TT 345 GRAPHITE BASE MOULDING		1
16	219568	NO8.3/4 INCH LG.POZI-PAN.SCREW.STAINLESS STEEL.PLASTITE		6
17	219355	M5 FORM A STAINLESS STEEL WASHER		2
18	219688	M4 FORM A STAINLESS STEEL WASHER		2
19	219703	M4 X 35MM LONG STAINLESS STEEL POZI PAN SCREW		2
20	219345	12MM EXTERNAL CIRCLIP		2
21	219647	M6 FORM G STAINLESS STEEL WASHER		4
22	219642	M6 STAINLESS STEEL NYLON INSERT NUT		4
23	392249	DECK MOUNT RH		1
24	392248	DECK MOUNT BRACKET		1
25	219719	M6 X 16MM LONG HEXAGONAL STAINLESS STEEL HEAD BOLT		4
26	219639	M8 STAINLESS STEEL NYLON INSERT NUT		2
27	902353	M6 EXTERNAL SHAKEPROOF WASHER STAINLESS STEEL		4
28	229644	450MM DIAMETER SPLASH SKIRT MOULDING		1
29	219890	M4 X 12MM LONG POZI PAN STAINLESS STEEL SCREW		1
30	230094	62MM O/D X 30MM I/D X 20MM BEARING (WITH SEALS)		1
31	219453	M8 MULTISERT		1
32	291060	M6 SHAKEPROOF STAINLESS STEEL WASHER		4
33	219982	M6 X 40MM LONG POZI PAN STAINLESS STEEL SCREW		4
34	229971	CAP MOULDING		1
35	206823	230V SINGLE SPEED VOLTAGE RELAY		1
	206822	110V/120V VOLTAGE RELAY		1
	208416	120V RELAY	NACE MACHINES ONLY	1
36	291132	M5 X 16MM LONG STAINLESS STEEL POZI PAN SEMS SCREW		2
37	206753	UNIVERSAL POWER SUPPLY		1
38	237071	NPR / TT GRAPHITE LID MOULDING		1
39	220584	RENDAR CLIP IN PLUG		1
40	229213	PLUG COVER		1
41	219914	NO6 X 5/8 INCH LONG POZI-PAN PLASTITE STAINLESS STEEL SCREW		1
42	229972	FAN GUARD MOULDING		1
43	205072	PROCESSED 12V DC BRUSHLESS FAN		1
44	220876	20 MFD MOTOR RUN CAPACITOR (450V)	220V & 230V MACHINES	1
	208211	80uF MOTOR RUN CAPACITOR	120V MACHINES	1
	208219	70uF RUN CAPACITOR	110V MACHINES	1
45	208265	MOTOR START CAPACITOR 98 MFD	220V & 230V MACHINES	1
	208210	MOTOR START CAPACITOR 480 MFD C/W RESISTOR & M8 STUD	110V & 120V MACHINES	1
46	328132	GRAPHITE MOTOR COWL MOULDING PRINTED	PRINTED NUMATIC	1
	330008	TWINTEC MAINS MOTOR COWL MOULDING (GRAPHITE) (NO LOGO)	NO PRINT	1
47	205217	COMBINED INDUCTION MOTOR 4POLE 220-240V 50Hz		1
	205219	COMBINED INDUCTION MOTOR 4POLE 220V 60Hz		1
	205220	COMBINED INDUCTION MOTOR 4POLE 120V 60Hz		1
	205221	COMBINED INDUCTION MOTOR 4POLE 110V 50Hz		1
48	227556	TOP MOTOR GASKET		1
49	230001	V OIL SEAL		2
50	214115	GEAR BOX MID SECTION		1
51	208207	GEARBOX FASTENER WITH SLOT		3
52	230015	15MM EXTERNAL CIRCLIP		3
53	230215	35MM X 15 I/D ALUMINIUM WASHER		6
54	230013	48 TOOTH SPUR GEAR(STANDARD SPEED 50/60HZ)		3
55	230027	12 TOOTH PINION GEAR (STANDARD SPEED)		1
56	230291	PLANET CARRIER & PIN ASSEMBLY (50HZ STANDARD SPEED)		1
57	230158	VITON OIL SEAL (BROWN)		1
58	230200	62MM INTERNAL CIRCLIP		1
59	230208	DIE CAST BOTTOM PLATE ASSY	INCLUDE: 57, 58, 30	1
60	219706	M5 X 45MM LONG STAINLESS STEEL HEXAGONAL BOLT		3
61	219904	M5 X16MM LONG HEXAGONAL STAINLESS STEEL BOLT		3
62	230207	DIE CAST CHUCK MACHINED		1
63	230048	26MM EXTERNAL CIRCLIP		1
64	291133	M5 X 20MM LONG STAINLESS STEEL POZI PAN SEMS SCREW		2
65	291145	M4 SHAKEPROOF WASHER STAINLESS STEEL		1
66	291061	No6 X 1/2 INCH LONG POZI PAN PLASTITE SCREW (STAINLESS STEEL)		3

Numatic International Spare Parts

Model No: TT4045 (TT1117) & TT4055 (TT1120) TOP TANK ASSEMBLY

Internal Code: 244498
DRAWING: DRW-16795 ISS:A14
13/09/2021



Numatic International Spare Parts

Model No: TT4045 (TT1117) & TT4055 (TT1120) TOP TANK ASSEMBLY

ITEM:	PART No:	DESCRIPTION	COMMENTS	QTY.
1	901780	TT.4055 TOP TANK MOULDING (GRAPHITE)		1
	237656	TT.4055 TOP TANK MOULDING (BLUE)		1
	237731	TT.4055 TOP TANK MOULDING (RED)		1
	237733	TT.4055 TOP TANK MOULDING (LIGHT YELLOW)		1
	237735	TT.4055 TOP TANK MOULDING (GREEN)		1
	907514	HT4045 TOP TANK MOULDING (BLACK)		1
3	906070	MESHLESS FILTER BASKET		1
4	237381	INTEGRATED CHASSIS SEPARATOR		1
5	392200	FILTER GASKET RING		1
6	237090	SEPARATOR FLOAT MOULDING (MK 2)		1
7	237526	38MM RED DRAIN HOSE CONNECTOR		1
8	237018	38MM DRAIN HOSE CONNECTOR		1
9	219852	NO6 X 1/2 LONG POZI PAN STAINLESS STEEL SELF TAP SCREW		4
10	219569	No8 X 1/2 INCH LONG POZI PAN STAINLESS STEEL PLASTITE SCREW		4
11	219310	RUBBER WASHER		2
12	206315	TUBE END PLUG		3
13	206265	TT/B 345 BARREL FILTER		1
14	206116	BLACK NUT		2
15	208591	NEW SEPARATOR GASKET		1
16	N/A	VAC HOSE 650MM X Ø38MM		1
17	N/A	35MM X 690MM LONG 3:1 STRETCH HOSE (SHORT & LONG CUFF)		1
18	237718	HOSE GUIDE		1
19	291135	M5 X 10MM LONG STAINLESS STEEL POZI PAN SEMS SCREW		2
20	902919	CLIP MOULDING (RED)		2
	229494	CLIP MOULDING (GREY)		2
21	237382	ACETAL HOSE CLIP MOULDING		1
22	901548	35MM X 250MM STRETCH HOSE (3:1) C/W ADJUSTABLE CUFF + CAP		1
22B	900903	HOSE CLOSURE REPLACEMENT KIT (35MM-38MM STRETCH HOSE)	SPARE PART	1
24	219919	32MM-50MM STAINLESS STEEL HOSE CLIP		1