



HNS1550

HIGH SPEED BURNISHER



Original Instructions

CAUTION, Read instructions before using the machine



HIGH SPEED BURNISHER

HNS 1550

Index

Machine overviewPages 2-3
Machine set up guidePage 4-6
Fitting the handlePage 4-5
Fitting the padPage 6
Brush pressure / Load adjustment.....	Page 7
About the machinePage 8-9
EU declaration documentPage 10
Schematic diagramPage 11
Floorcare accessoriesPage 11
SpecificationsPage 12
ApplicationPage 12
WarrantyPage 13
Company addressPage 16

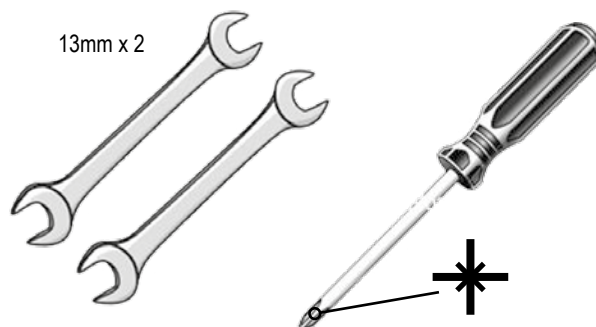
**PLEASE
READ
BEFORE
COMMENCING
OPERATION**

**After the removal of
all the packaging,
carefully open and
check the contents**

- Manual
- 3 x Bolts
- 3 x Nuts
- 6 x Washers

1	500mm Deck
2	Transport wheels
3	Handle adjustment lever
4	On/Off switch
5	Start/Stop triggers
6	High speed motor
7	Pad pressure control
8	Dust skirt
9	Pressure overload display
10	Cable hook
11	Cable restraint

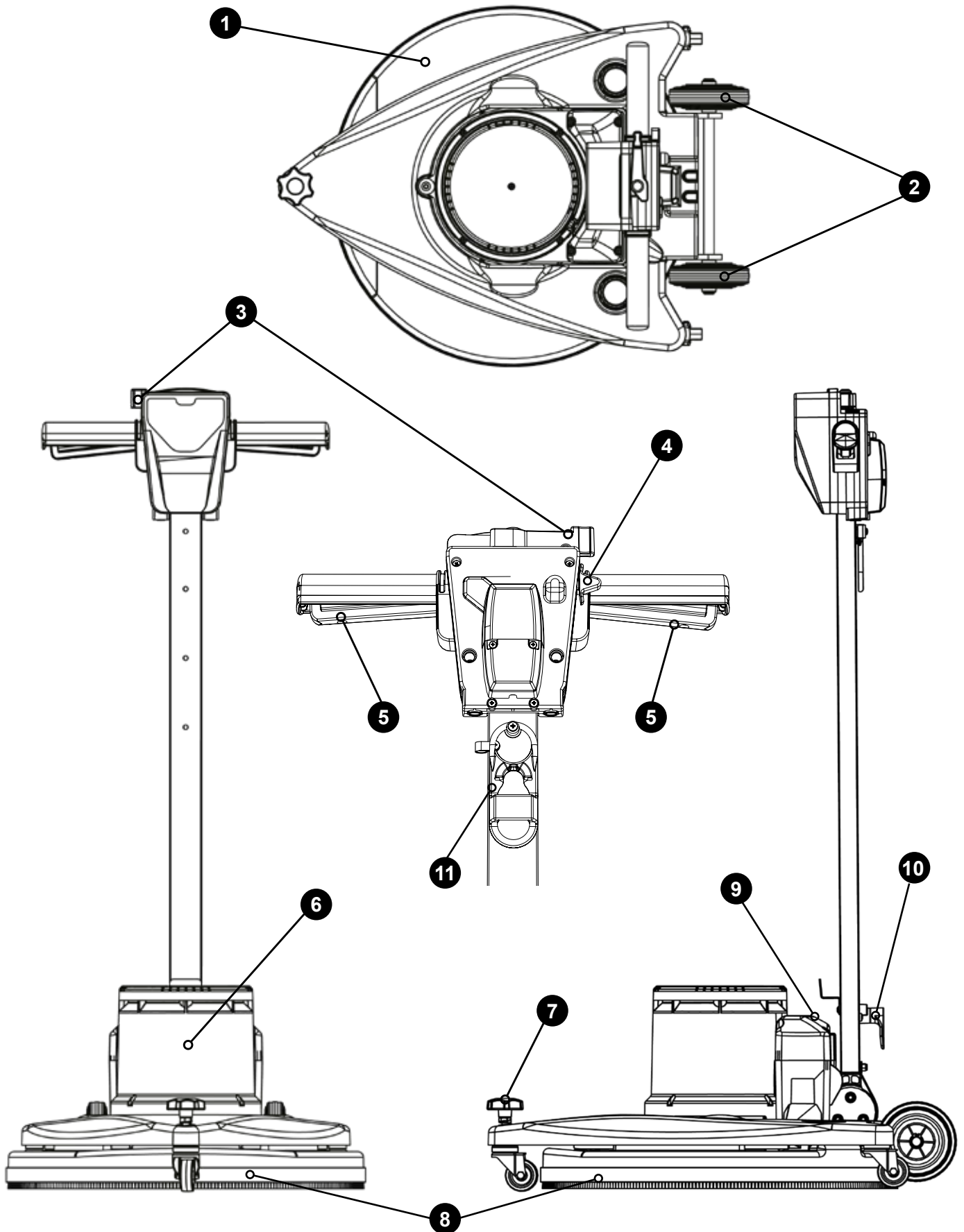
Tools required



HIGH SPEED BURNISHER

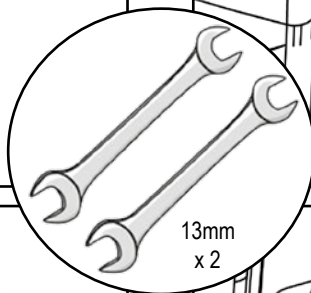
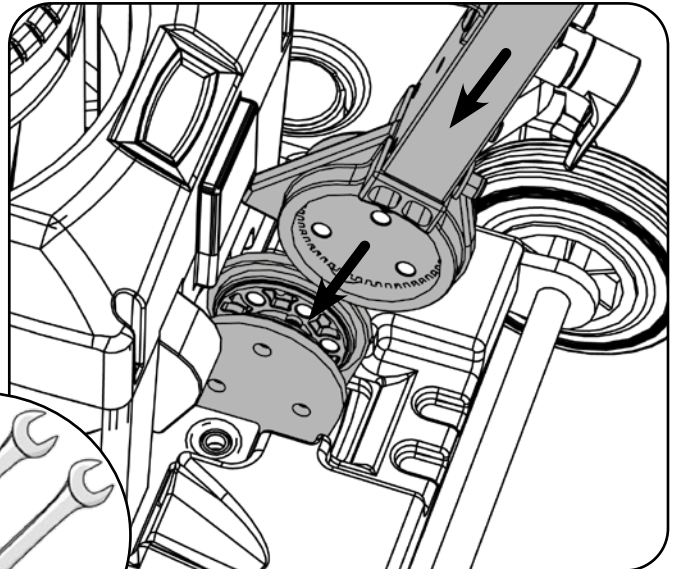
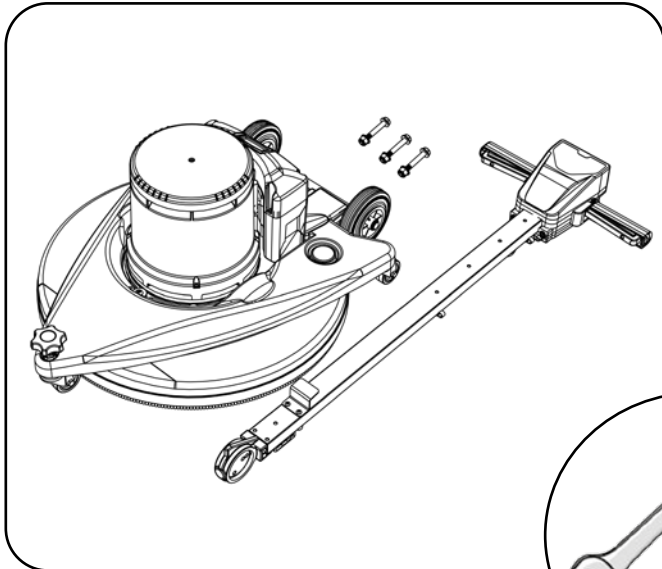
HNS 1550

Machine overview

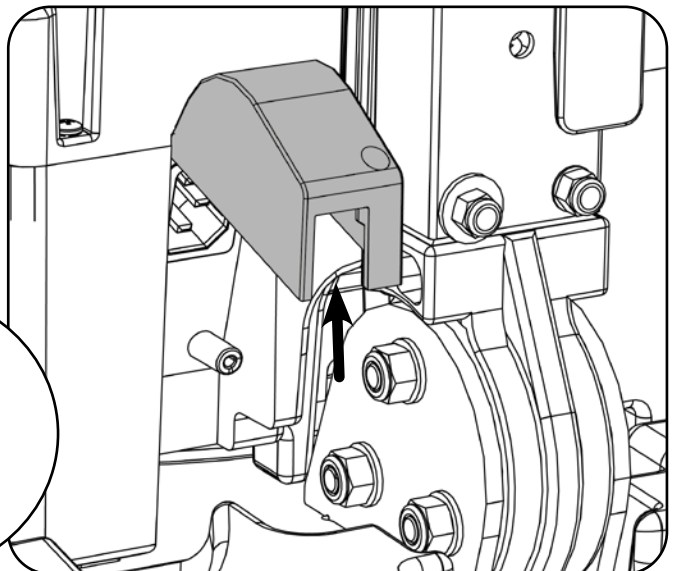
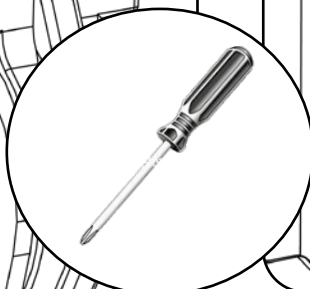
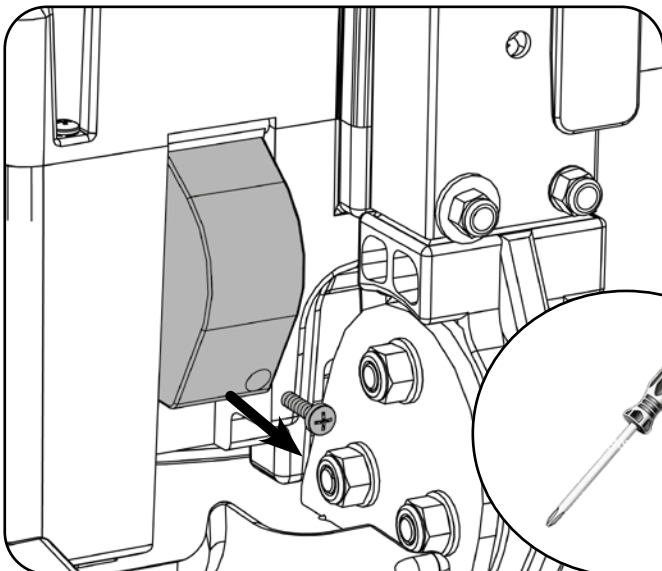
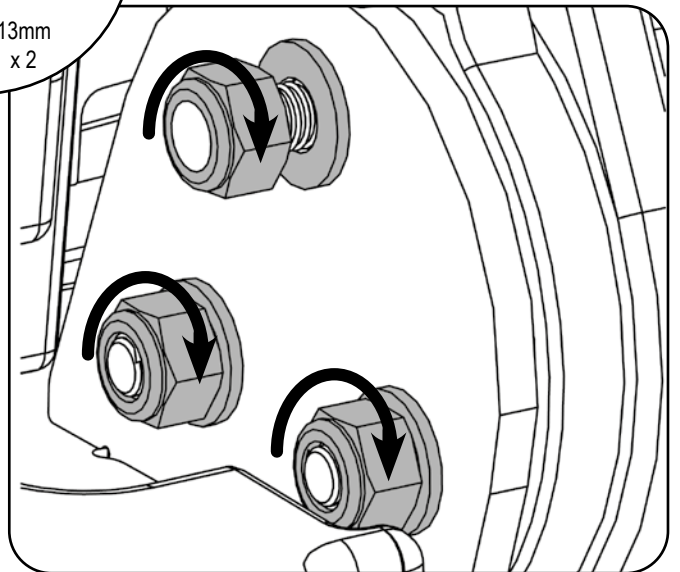
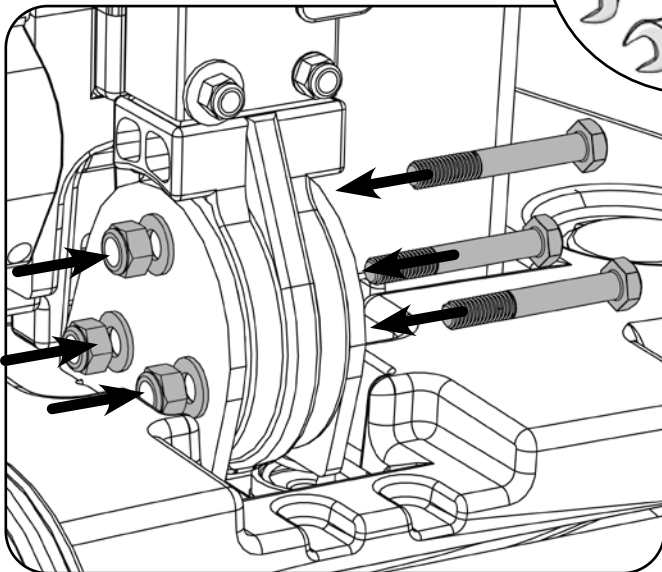




PLEASE READ BEFORE COMMENCING ANY OPERATION AFTER THE REMOVAL OF ALL THE PACKAGING, CAREFULLY OPEN AND CHECK THE CONTENTS.

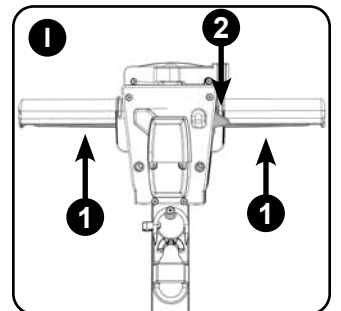
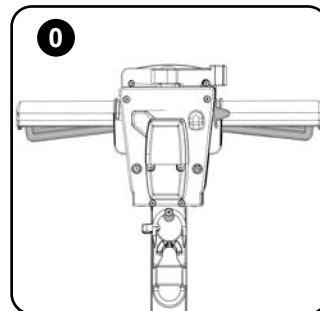
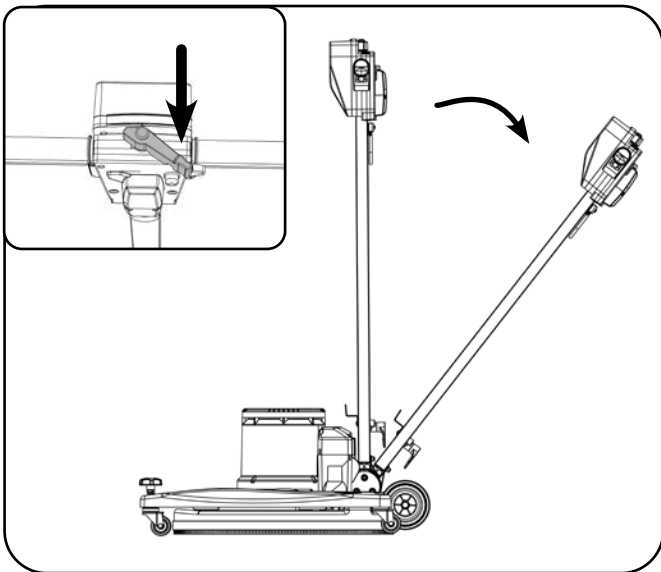
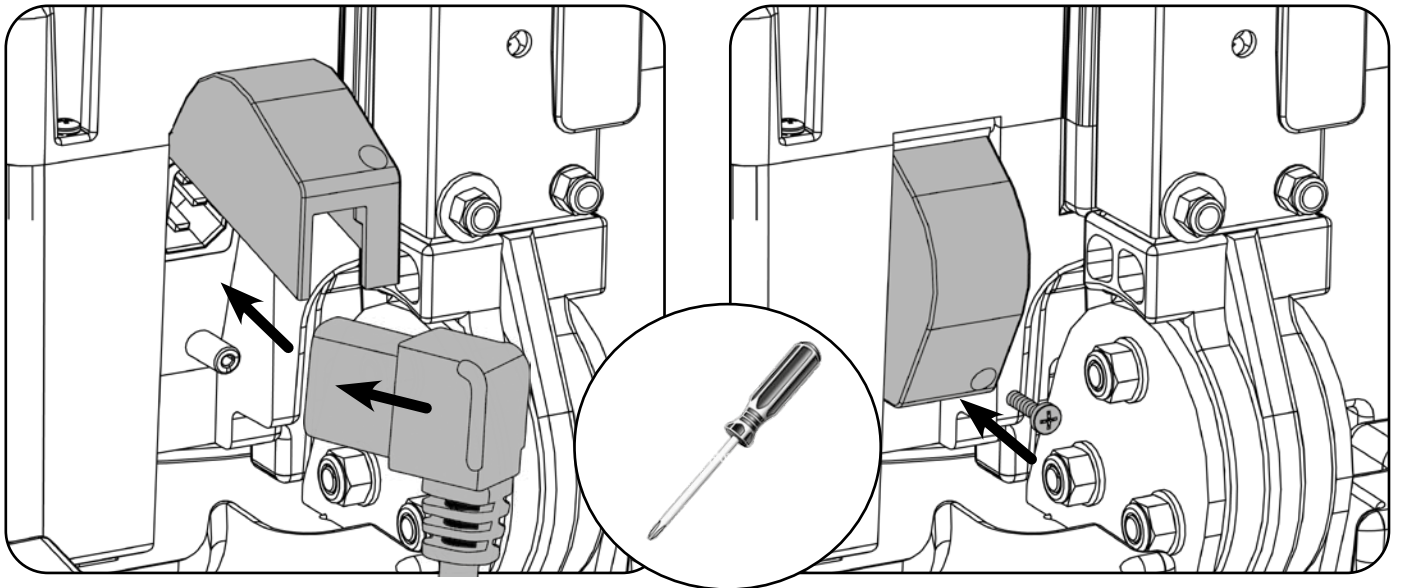


13mm
x 2





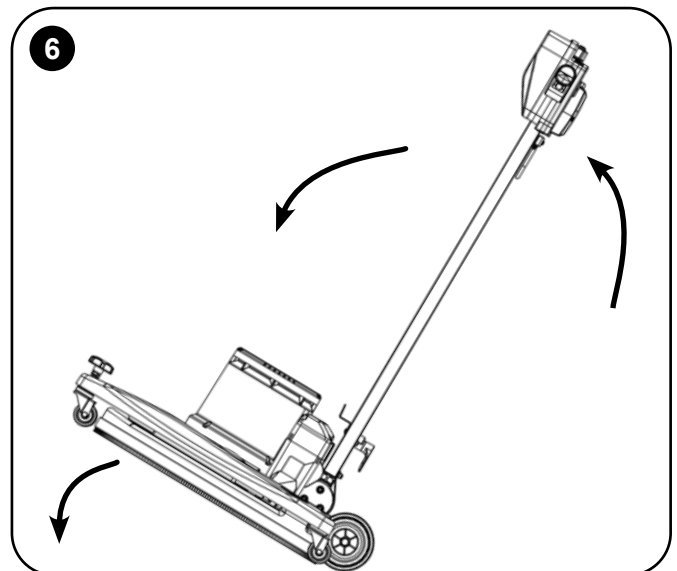
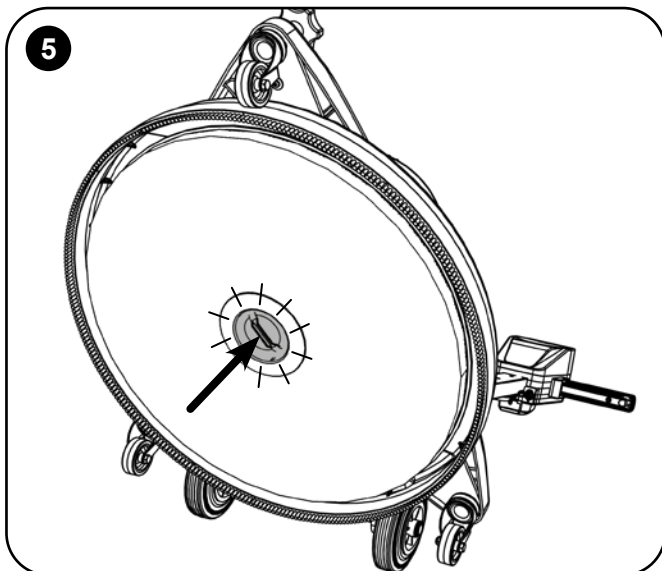
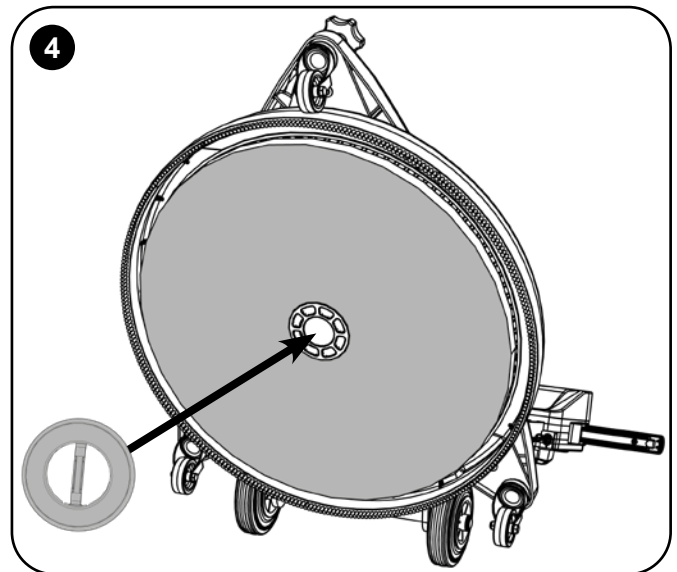
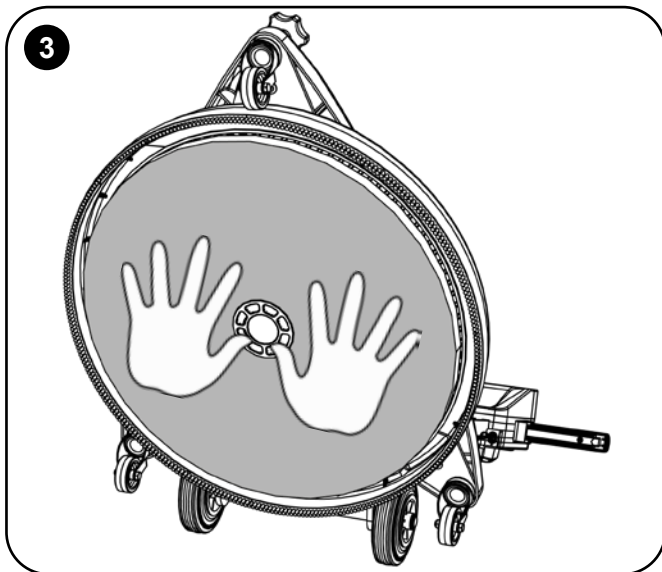
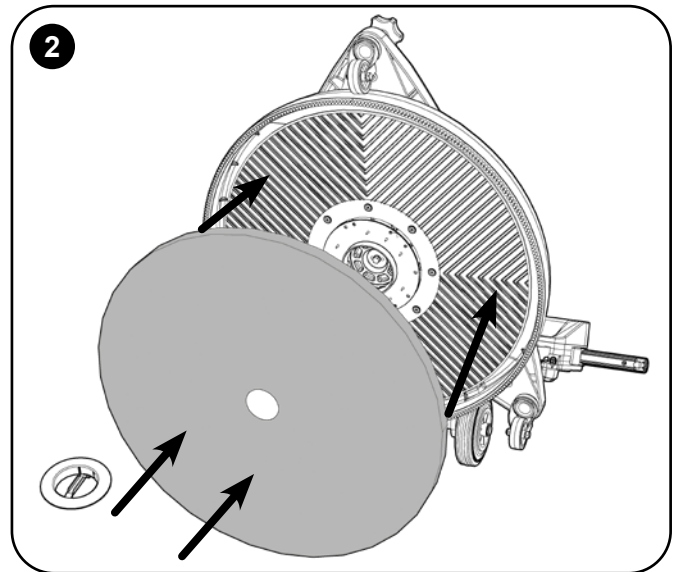
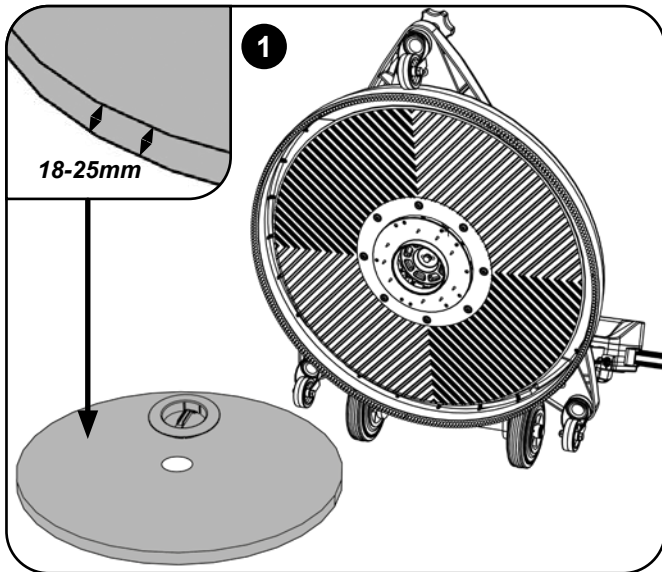
**FOR BEST RESULTS OPERATE MACHINE IN A FORWARD / REVERSE MOTION.
ONLY MOVE LEFT TO RIGHT WHEN MANOEUVRING**

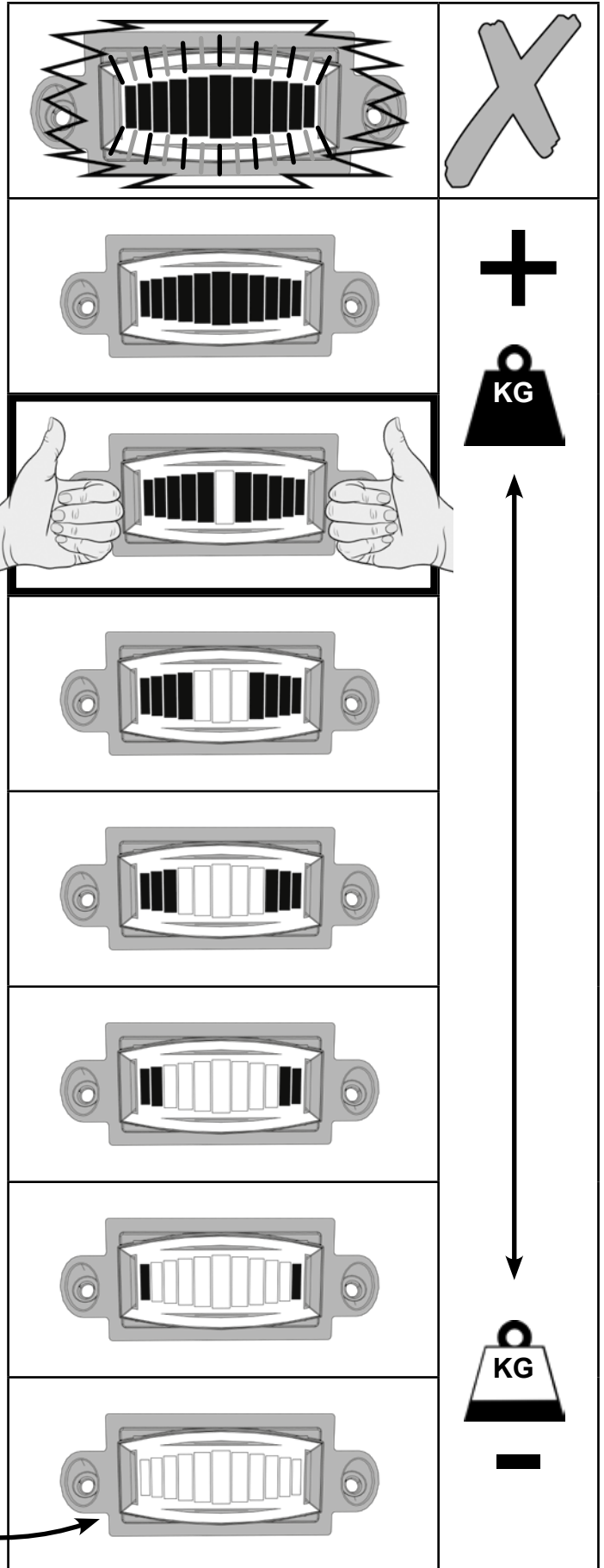
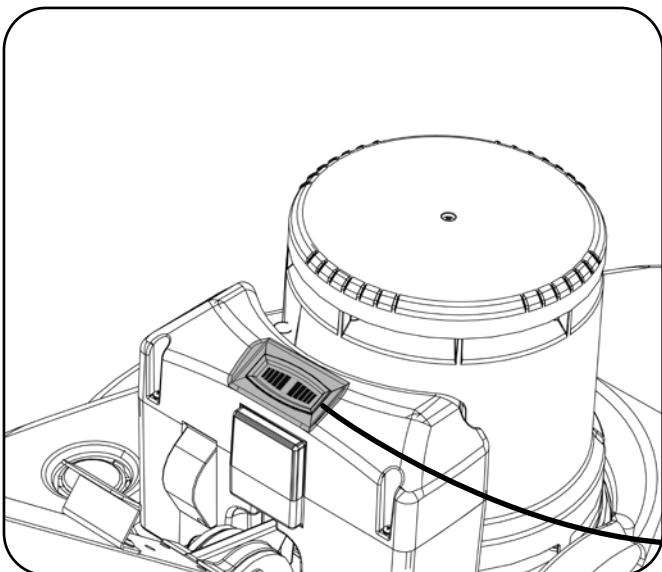
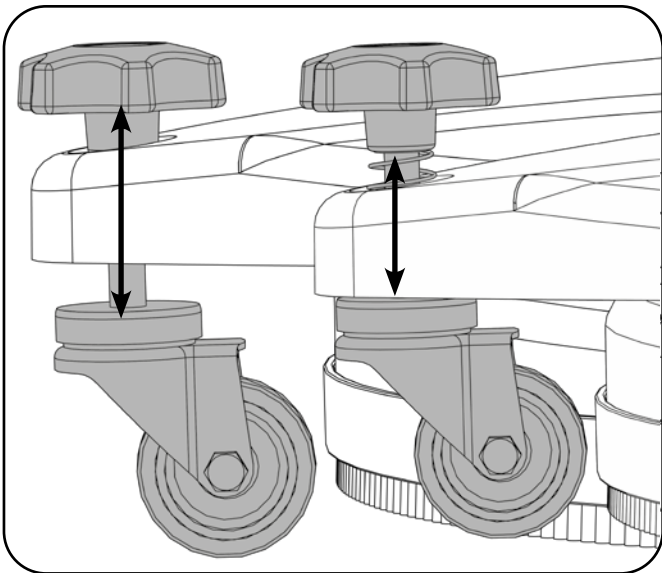
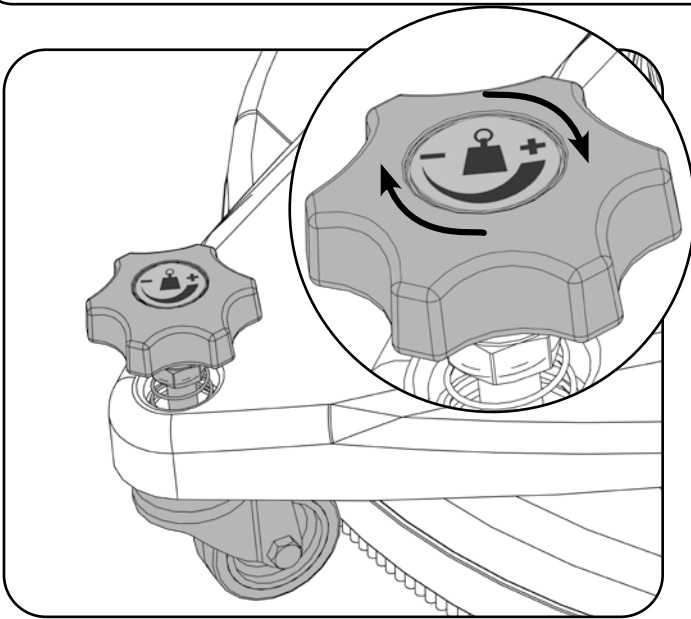


Machine set-up guide. Fitting the pad



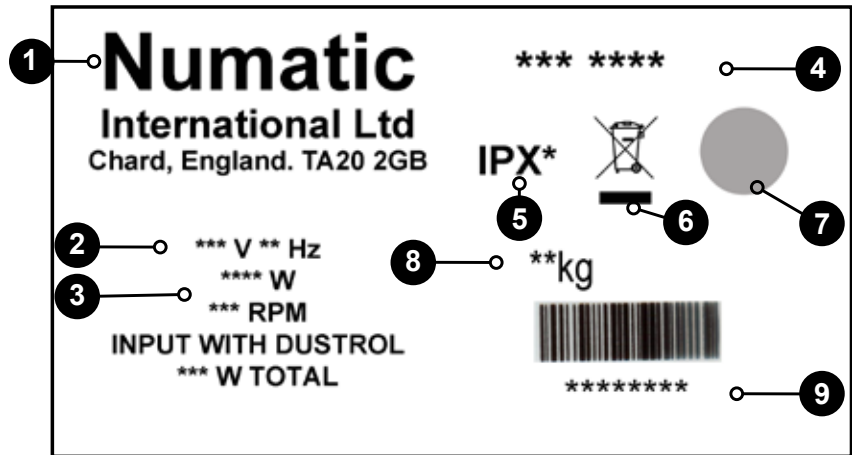
**CHECK PAD DEPTH BEFORE EACH USE.
OPTIMUM PAD DEPTH 18 - 25MM.**





About the machine

Rating label	
1	Company name & address
2	Voltage frequency
3	Power rating
4	Machine description
5	Splash proof rating
6	WEEE Logo
7	Approvals Mark
8	Weight (ready to use)
9	Machine yr/wk serial number



WEEE Legislation

Floor Machine, accessories and packaging should be sorted for environmentally - friendly recycling

Only for EU countries:

Do not dispose of Floor Machine into household waste!

According to the European Directive 2012/19/EU on

Waste Electrical and Electronic Equipment and its incorporation into national law.

Floor Machines that are no longer suitable for use must be separately collected and sent for recovery in an environmentally - friendly manner.



PPE (Personal protective equipment) that may be required for certain operations.

Ear protection	Safety footwear	Head protection	Safety gloves	
Dust / Allergens protection	Eye protection	Protective clothing	Hi-Vis jacket	Caution wet floor sign

NOTE: A risk assessment should be conducted to determine which PPE should be worn.

Safety critical component:

Mains lead

H05VV-F 15M x 3 Core x 1.5mm²

In the event of a breakdown contact your Numatic dealer or the Numatic technical help line +44 (0)1460 269268



**ORIGINAL INSTRUCTIONS
READ MANUAL BEFORE USE**

Information for floor machine

COMPONENT	INTERVAL	INSPECT FOR
Mains lead	DAILY	Scuffing, cracks, splits, conductors showing
Pads	BEFORE EACH USE	Damage and wear
Handle and deck	BEFORE EACH USE	Wear, cracks, splits



This Product meets the requirements of IEC 60335 - 2-67

Inrush current can cause short-time voltage drops. In unfavorable power supply conditions, other equipment connected to the supply network may be adversely effected. Ensure the supply impedance is less than 0.31 Ohm, to avoid disturbances.

WARNING

The primary use for this machine is commercial, for example in hotels, schools, hospitals, factories, shops and offices.

Care should be taken in the choice of chemicals, detergents and other liquids. Consult your supplier for advice.

This appliance is not intended for use by persons (including children) with reduced physical sensory or mental capabilities, or lack of experience and knowledge. Unless they have been given supervision or instruction concerning the use of the appliance by a person responsible for their safety.

Children should be supervised to ensure that they do not play with the appliance.

- DO Ensure only competent persons unpack/ assemble the machine.
- DO Keep your machine clean.
- DO Keep your brushes in good condition.
- DO Replace any worn or damaged parts immediately.
- DO Daily examine the mains lead for damage, such as cracking or ageing. If damage is found, replace the lead before further use.
- DO Only replace the mains lead with the correct Numatic approved replacement part.
- DO Ensure that the work area is clear of obstructions and/ or people.
- DO Ensure that the working area is well illuminated.
- DO Pre - sweep the area to be cleaned.

- DON'T Use steam cleaners or pressure washers to clean the machine or use in the rain.
- DON'T Attempt machine maintenance or cleaning unless the power plug has been removed from the supply outlet.
- DON'T Allow any inexperienced repairs. Contact your nearest service centre.
- DON'T Strain the mains lead or try to unplug by pulling on the mains lead.
- DON'T Expect the machine to provide trouble free, reliable operation unless maintained correctly.
- DON'T Run the machine over any power cables during operation.
- DON'T Leave your machine standing on brush, pads or drive boards when not in use.



Operators shall be adequately instructed on the use of this machine.

This machine shall be disconnected from its power source (Remove plug from socket outlet.) During cleaning or maintenance or in the event of an accident and when replacing parts or converting the machine to another function.

CAUTION

This machine is not suitable for picking up hazardous dust.

Do not allow supply cord to come into contact with the rotating brushes or pads

As with all electrical equipment care and attention must be exercised at all times during its use, in addition to ensuring that routine and preventive maintenance is carried out periodically in order to ensure its safe operation.

Failure to carry out maintenance as necessary, including the replacement of parts to the correct standard could render the equipment unsafe and the manufacturer can accept no responsibility or liability in this respect.

When ordering spare parts always quote the model number / serial number specified on the rating plate.

This machine is for indoor use only.

The machine is not to be used or stored outdoors or in wet conditions.

Don't allow the machine to be used by inexperienced or unauthorised operators or without appropriate training.

Only use brushes provided with the appliance or those specified in the instruction manual.

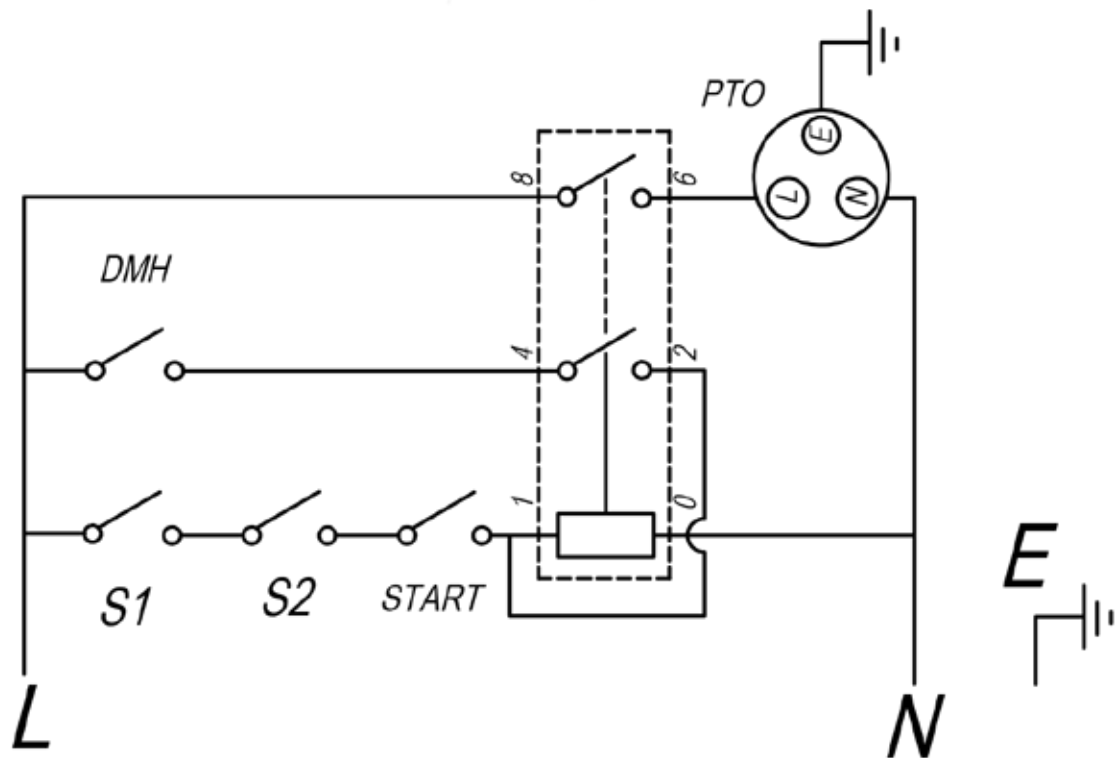
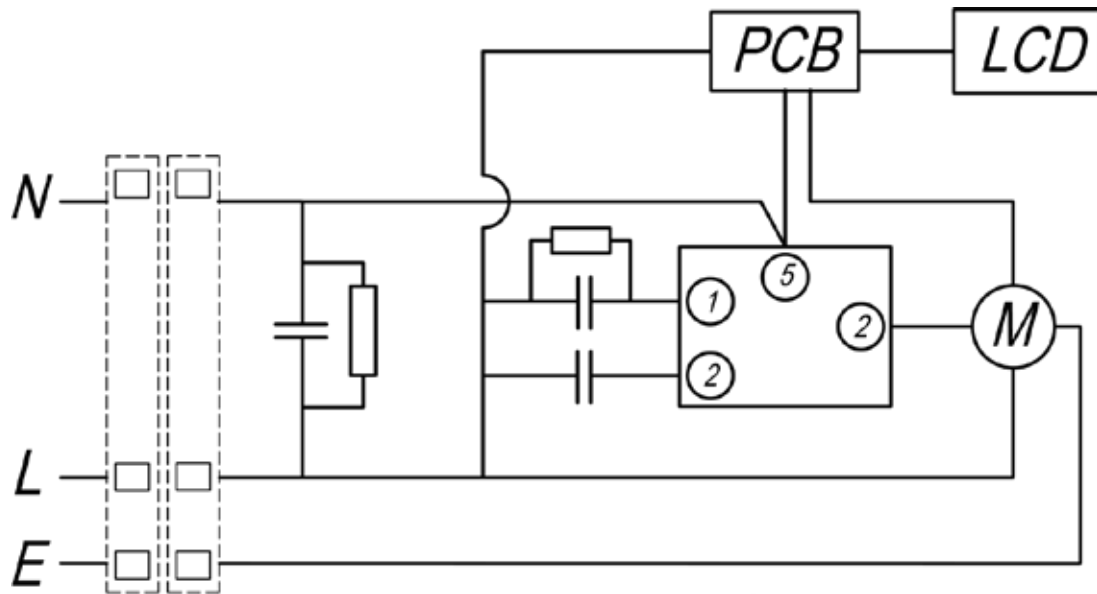
The use of other brushes may impair safety.

A full range of brushes and accessories are available for this product.

Only use brushes or pads which are suitable for the correct operation of the machine, for the specific task being performed.

It is essential that this equipment is correctly assembled and operated in accordance with current safety regulations. When using the equipment always ensure that all necessary precautions are taken to guarantee the safety of the operator and any other persons who may be affected.

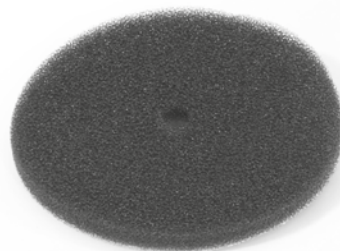
Schematic diagram



Floorcare accessories



900834 HNS
Dustrol kit



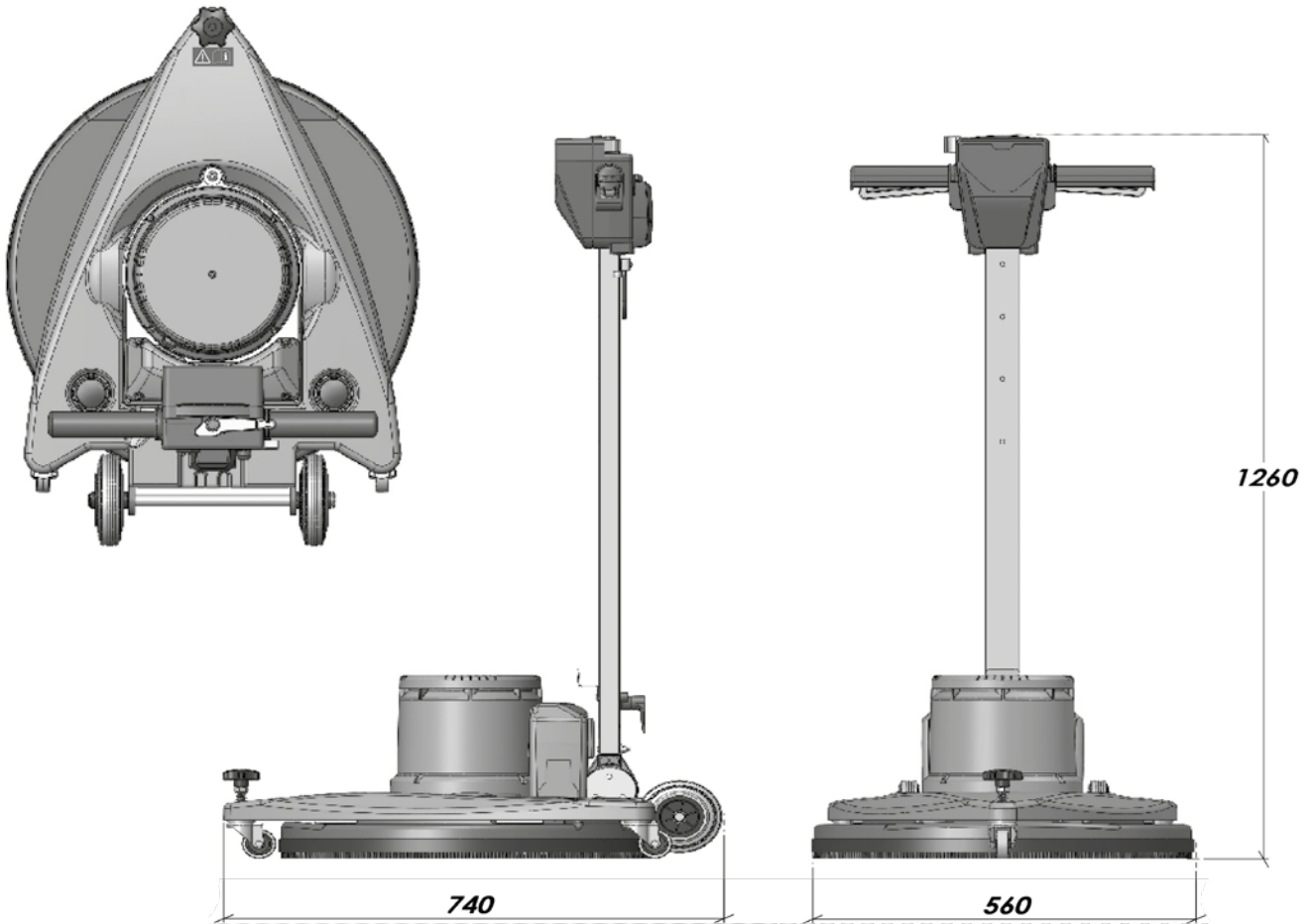
606250 HFM
Dust filter kit



606325 HFM
Spray kit

Specifications

Model - HNS 1550				
Brush motor	Brush speed	Pad sizes	Weight	Pad pressure
1500 W	1500 rpm	500 mm (18 - 25mm Thick)	35 kg	Variable
Range	Protection class	Hand arm vibration	Noise	Dimensions
32 m	IPX4	1.66 m/s ²	≤ 70 dB(A)	Width = 560 mm Length = 740 mm Height = 1260 mm



Application

HNS 1550	Scarifying	Stripping	Shampoo	Spray cleaning	Wet scrubbing	Dry buffing	Light spray buff	Low gloss polish	Medium gloss polish	High speed polish
1500 W 1500 rpm				✓				✓	✓	✓

Numatic International Warranty

Numatic International Limited warrant to the original purchaser that its products are free of defects in both material or workmanship for the period shown below:-

Homecare and Cleancare Vacuum cleaners.....	2 Years
Rotary Floor Machines.....	2 Years
Twintec Auto Scrubber Dryer.....	1 Year
Vario Ride-On Scrubber Dryer.....	1 Year / 1500 hours
Mopping, Compacts, Combi and Servocare Products.....	1 Year
Individual Accessories and Spare Parts.....	6 Months

Note: This warranty expressly excludes consumable parts such as carbon brushes, floor brushes, mops, batteries etc, that are considered replaceable from time to time during the normal working life of the machine.

- A. The warranty period commences from the date the goods are purchased.
- B. All warranty claims must be processed through the Dealer from whom the equipment was purchased. The Dealer will co-operate with the purchaser throughout the warranty claims procedure and will arrange any necessary repairs using genuine Numatic parts.
- C. If the original Dealer is no longer able to fulfil his obligations please contact Numatic International Limited with full details of the claim and proof of purchase so that this may be processed without delay.
- D. Any warranty claim can only relate to the specific part that is proven to be at fault and for which a replacement will be supplied but cannot be extended to constitute a claim against the complete machine.
- E. Numatic International will supply the Dealer with any warranty parts required, subject to the claim being validated, after return of the faulty items in accordance with Numatic International Limited's General Conditions of Sale.
- F. Claims will not be accepted if they are the result of fair wear and tear, misuse or abuse of any kind.
- G. No replacement will be given unless the appropriate evidence of the validity of the claim has been provided to the satisfaction of Numatic International Limited.
- H. Numatic International Limited reserve the right to charge for any unnecessary work carried out as a result of an invalid claim.
- I. No variation to this warranty may be made or implied by any member of Numatic International Limited or its Dealers unless such variation is in writing and authorised by the Company



Numatic International Limited. Chard, Somerset, TA20 2GB
Telephone: 01460 68600 Fax: 01460 68458

© Numatic International Limited

UKCA Declaration of Conformity	
Manufacturer:	Numatic International Limited Chard Somerset TA20 2GB www.numatic.co.uk
Product:	HNS
Description:	Single Disc – Floor Treatment - Commercial
We, Numatic hereby declare under our sole responsibility, that the above-mentioned product(s) is/are in conformity with the following directives and standards.	
S.I. 2008: 1597	Supply of Machinery Regulations EN60335-1:2012 + AC:2014 + A11:2014 + A13:2017 EN60335-2-67:2012 EN62233:2008
S.I. 2016: 1091	EMC Regulations EN55014-1:2017 + A11:2020 EN55014-2:1997 + A1:2001 + A2:2008 EN61000-3-2:2014 EN61000-3-3:2013
S.I. 2012: 3032	RoHS Regulations

Authorised Signatory: Mr. Matthew Coles

Position: Head of Technology

Signed: 1st Dec 2021

Date: 1st Dec 2021

Somerset, TA20 2GB, UK

Numatic International Limited,
Chard,

<p>EU, EC, EL, UE, ES: Declaration of Conformity Prohlášení o shodě Konformitátskierklärung Overensstemmelseserklæring Declaración de conformidad Vastavastatuseklaratsioon Declaração de conformité</p>	<p>Декларация за съответствие Δηλώση συμμόρφωσης Megfelelőségi nyilatkozat Dichiarazione di conformità Atihtetes deklaracija Conformiteitsverklaring Samsvarserklæring Declaração de conformidade</p>	<p>Декларация за съответствие Δηλώση συμμόρφωσης Megfelelőségi nyilatkozat Dichiarazione di conformità Atihtetes deklaracija Conformiteitsverklaring Samsvarserklæring Declaração de conformidade</p>	<p>Declaración de conformidad Deklaracja zgodności Declaratie de conformitate Deklaracija o sootvetstvii Försäkran om överensstämmelse Izjava o skladnosti Vaatimustemmuikaisusvakuutus</p>
<p>Manufacturer: / Производител / Κατασκευαστής / Gyártó / Fabricante / Produsător / Производители / Tilværkare / Proizvajalca / Valmistaja:</p>	<p>Numatic International Limited Chard Somerset TA20 2GB www.numatic.co.uk</p>	<p>Numatic International Limited Chard Somerset TA20 2GB www.numatic.co.uk</p>	<p>Numatic International Limited Chard Somerset TA20 2GB www.numatic.co.uk</p>
<p>Product: / Προϊόν / Термék / Prodotto / Produkto. Toode; / Produkt / Products / Produkt / Produkt / Товар / Produit / Izdelka / Tuote:</p>	<p>HNS</p>	<p>HNS</p>	<p>HNS</p>
<p>Description: / Popis / Beschreibung / Beskrivelse / Descripción / Kirjeldus / La description / Описание / Περιγραφή / Leirás / Descrzione / Apibudinimas / Omschrijving / Beskrivelse / Descrição / Opis / Descrriere / Описание / Beskrivning / Opis / Kuvaus:</p>	<p>Single Disc – Floor Treatment - Commercial</p>	<p>Single Disc – Floor Treatment - Commercial</p>	<p>Single Disc – Floor Treatment - Commercial</p>
<p>GB We, Numatic hereby declare under our sole responsibility, that the above-mentioned product(s) is/are in conformity with the following directives and standards.</p>			
<p>CZ My, Numatic prohlašujeme na svou výlučnou odpovědnost, že výše uvedený výrobek je ve shodě s následujícími směrnici a normami.</p>	<p>BG Ние, Numatic с настоящото декларираме на своя лична отговорност, че посочените по-горе продукти е в съответствие със следните директиви и стандарти.</p>	<p>PT Nós, a Numatic declaramos, sob nossa exclusiva responsabilidade, que o produto acima mencionado está em conformidade com as diretivas e normas a seguir.</p>	<p>PL My, Numatic Niniejszym oświadczamy z pełną odpowiedzialnością, że wyżej wymieniony produkt jest zgodny z następującymi dyrektywami i normami.</p>
<p>DE Wir, Numatic erklären in alleiniger Verantwortung, dass das oben genannte Produkt den folgenden Richtlinien und Normen entspricht.</p>	<p>GR Εμείς, Numatic δηλώνουμε με αποκλειστική μας ευθύνη, ότι το παρακάτω προϊόν συμμορφώνεται με τις ακόλουθες οδηγίες και πρότυπα.</p>	<p>RO Noi, Numatic Prin prezenta declarăm pe propria răspundere, că produsul mai sus menționat este în conformitate cu următoarele standarde și directive.</p>	<p>RU Мы, Нинифик овим изъавляем под луноч одгворношчу, да наведеиор прозвод, је у складу са следећим директивама и стандардима.</p>
<p>ES Nosotras, Numatic declaramos bajo nuestra única responsabilidad que el producto antes mencionado está en conformidad con las siguientes directivas y normas</p>	<p>IT Mes, "Numatic" pareišku vienšaiškos atsakomybės, kad pirmiau minėtas produktas atitinka šias direktyvas ir standartus</p>	<p>SE Vi Numatic förklarar härmed under eget ansvar att ovan nämnda produkt överensstämmer med följande direktiv och normer.</p>	<p>SI Mi, Numatic izjavljam o polno odgovornosti, da je zgoraj omenjeni izdelek v skladu z naslednjimi američkami in standardi.</p>
<p>FR Numatic déclare sous notre seule responsabilité que le produit mentionné ci-dessus est conforme aux directives et normes suivantes.</p>	<p>NL We verklaren Numatic hierbij op eigen verantwoordelijkheid, dat het bovengenoemde product voldoet aan de volgende richtlijnen en normen</p>	<p>FI Me, Numatic täten vakuutamme omalla vastuulla, että edellä mainittu tuote on yhdenmukainen seuraavien direktiivien ja standardien mukaisesti</p>	<p>NO Vi, Numatic erklærer herved under eget ansvar, at det ovennevnte produktet er i samsvar med følgende direktiver og standarder</p>
<p>2006/42/EC</p>	<p>Machinery Directive</p>	<p>EN60335-1:2012 + AC:2014 + A11:2014 + A13:2017 EN60335-2-67:2012 EN62233:2008</p>	<p>2014/30/EU</p>
<p>2011/65/EU</p>	<p>RoHS Directive</p>	<p>EN55014-1:2017 + A11:2020 EN55014-2:1997 + A1:2001 + A2:2008 EN61000-3-2:2014 EN61000-3-3:2013</p>	<p>2011/65/EU</p>

Authorised Signatory: Mr. Matthew Coles

Position: Head of Technology

Signed:



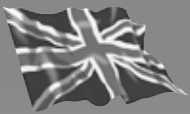
Date: 04th May 2022

Somerset, TA20 2GB, UK

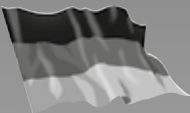
Numatic International Limited

Chard,

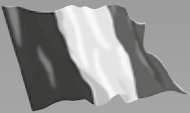
Numatic



Numatic International Limited.
Chard, Somerset TA20 2GB ENGLAND
Tel: 01460 68600 www.numatic.co.uk



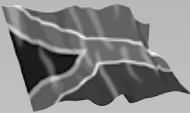
Numatic International GmbH. Fränkische Straße 15–19
D-30455 Hannover, DEUTSCHLAND
Tel: 05 11 98 42 16 0 www.numatic.de



Numatic International SAS. 13 / 17 rue du Valengelier
EAE La Tuilerie – 77500 CHELLES, FRANCE
Tel: 01 64 72 61 61 www.numatic.fr



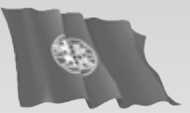
Numatic International BV
Vennootsweg 15, 2404 CG, Alphen aan den Rijn, NEDERLAND
Tel: 0172 467 999 www.numatic.nl



Numatic International (Pty.) Ltd.
16th & Pharmaceutical Roads, Midrand, Gauteng,
SOUTH AFRICA 1685
Tel: 0861 686 284 www.numatic.co.za



Numatic International Schweiz AG.
Sihlbruggstrasse 3A, 6340 Baar. SCHWEIZ
Tel: 0041 (0) 41 76 80 76 - 0 www.numatic.ch



Numatic International ULDA. Rua da Boa Viagem, 177
4470.210 Maia. PORTUGAL
Tel: +351 220 047 700 www.numatic.pt



Numatic International SLU. C/ La Forja, 41, 08840 Viladecans
(Barcelona), Spain
Tel: +34 93 647 22 22 www.numatic.es

Specification subject to change without prior notice
www.numatic.co.uk © Numatic International Limited