



www.numatic.co.uk

**GB**

*Original Instructions -  
CAUTION Read instructions before using the machine.*

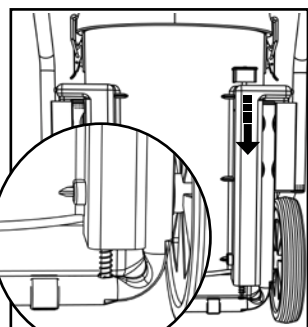
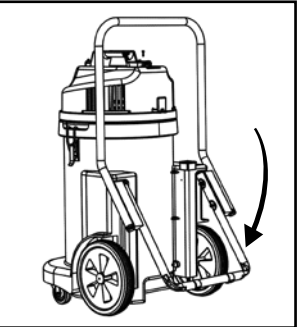
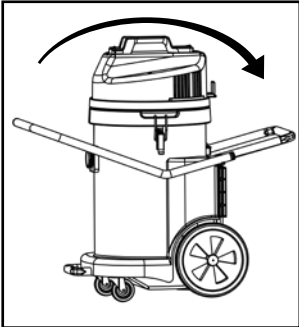
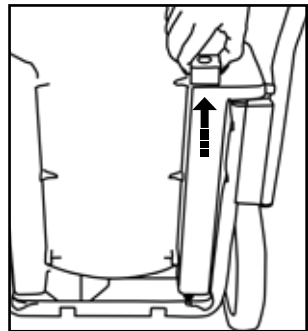
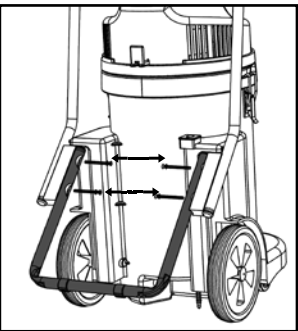
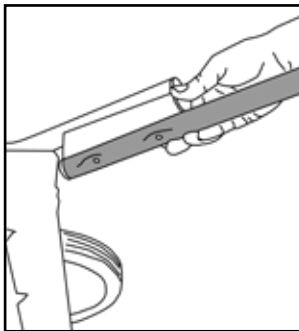
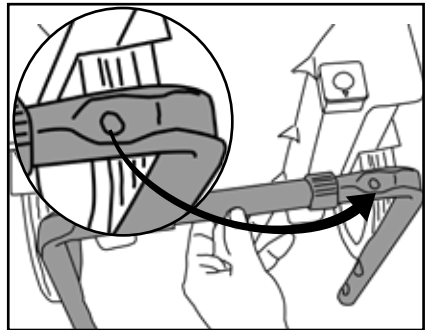
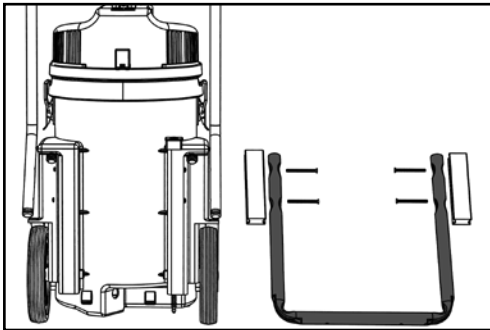
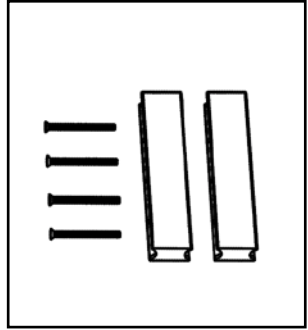
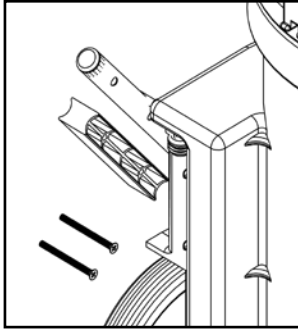
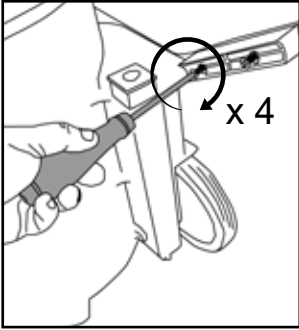


**BS8 / BA8**

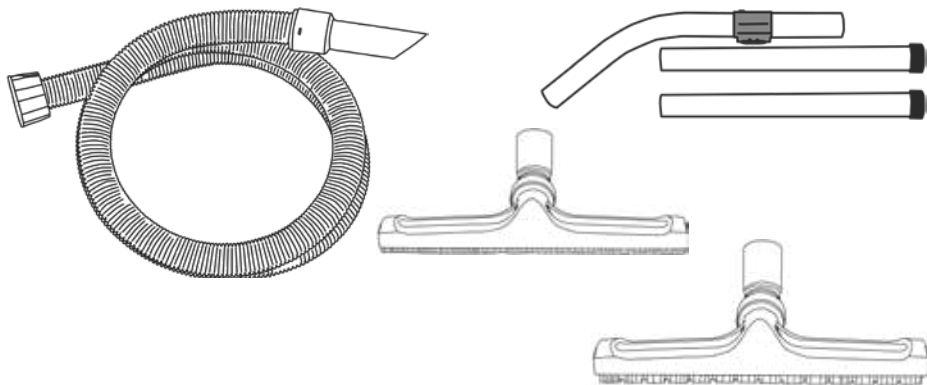
CV570  
CVD 570  
CV 900  
CVD 900



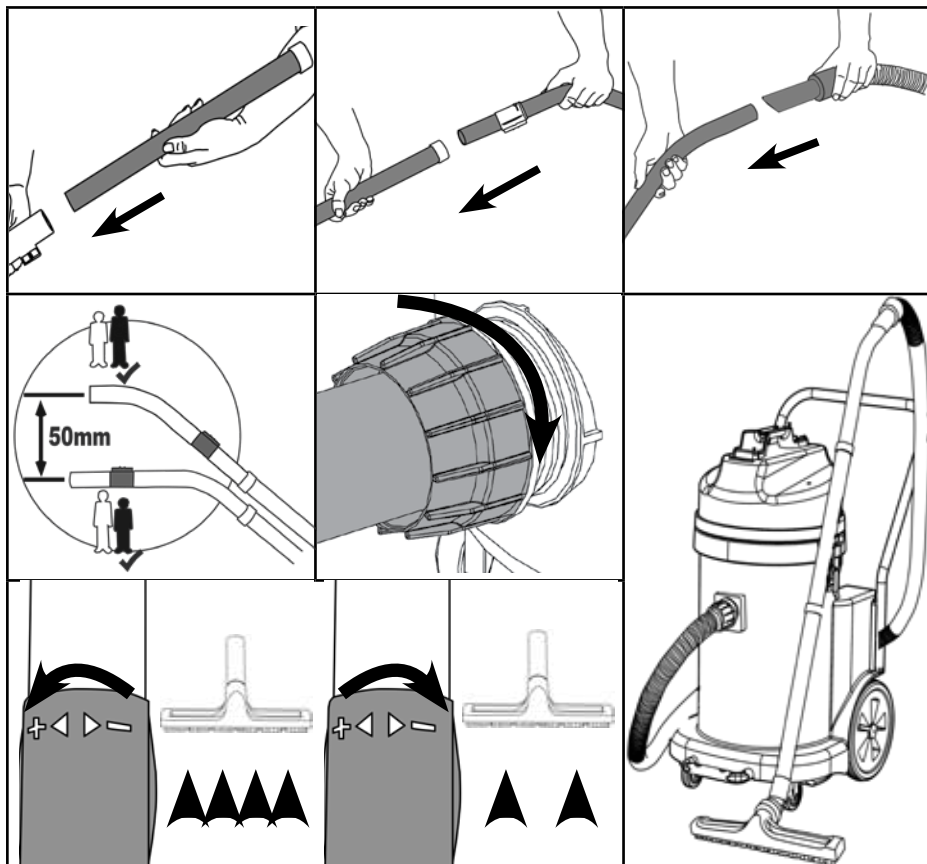
# CV / CVD 900 Drum Assembly



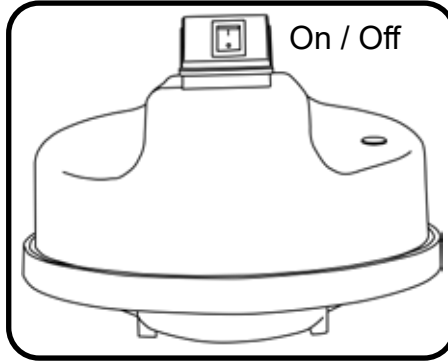
Kit BS8 / BA8



Assembly



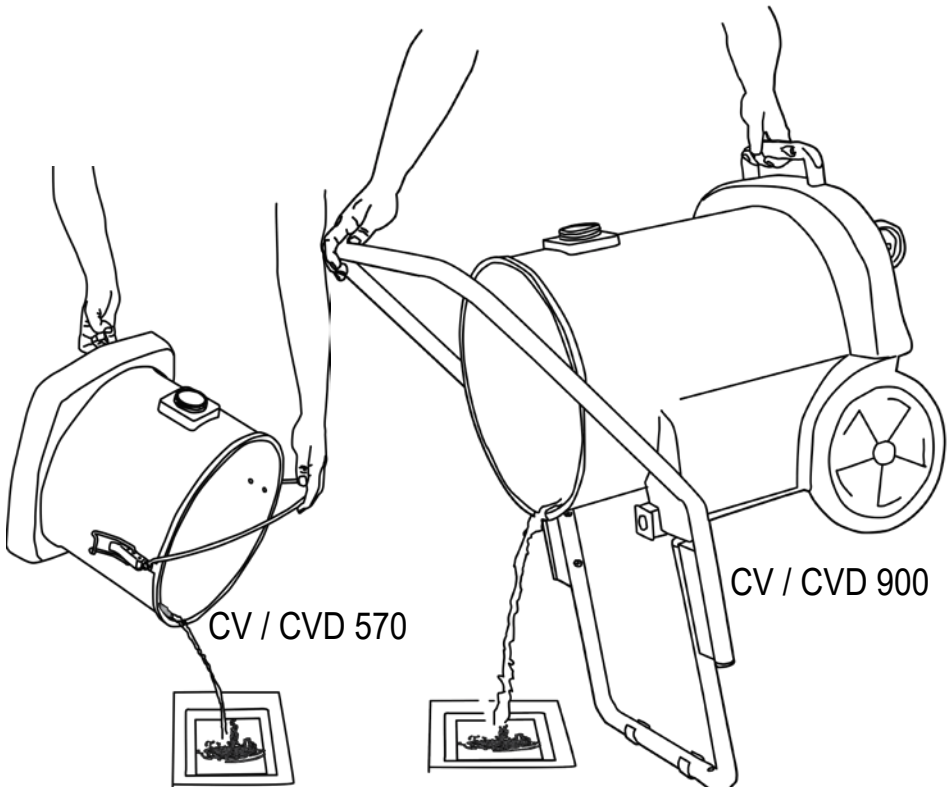
## Using the Machine



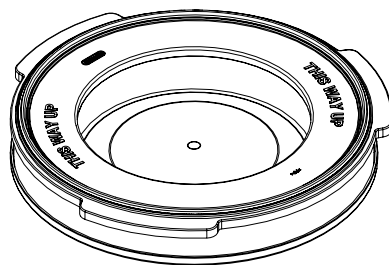
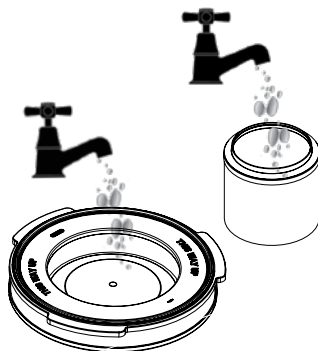
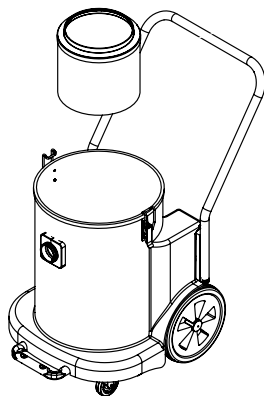
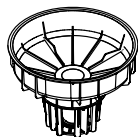
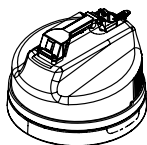
### Warning

You must make sure all waste material has been emptied from machine AFTER use.  
Make sure all filters are clean BEFORE every use.

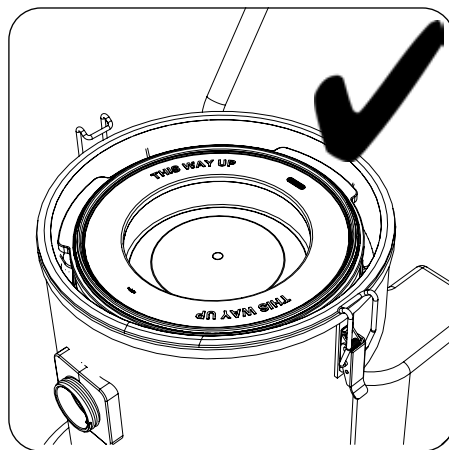
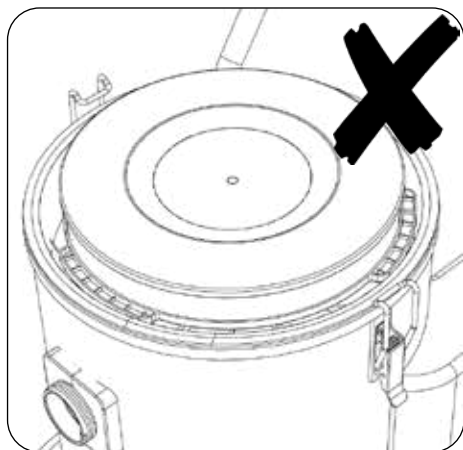
## Emptying the Machine



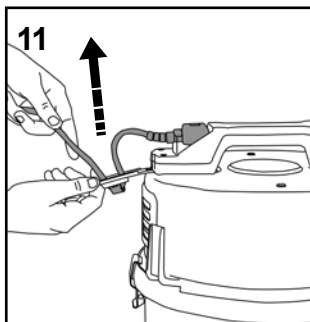
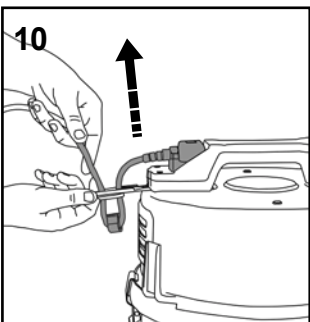
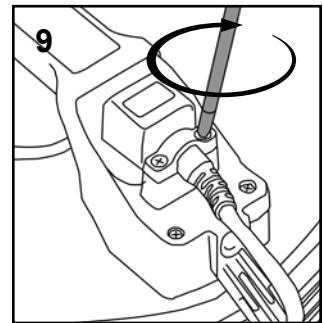
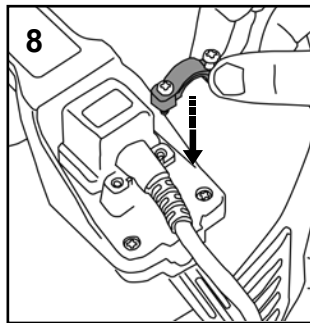
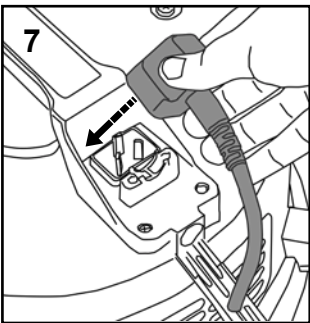
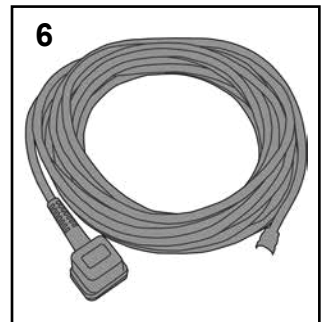
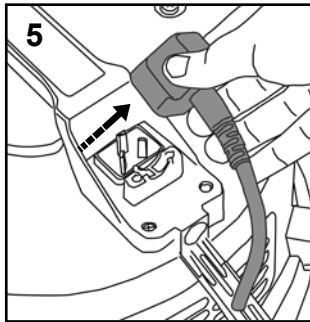
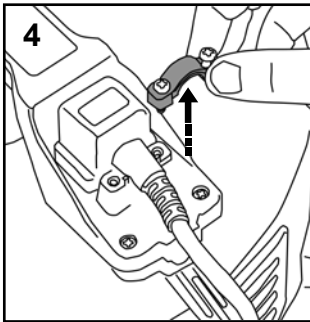
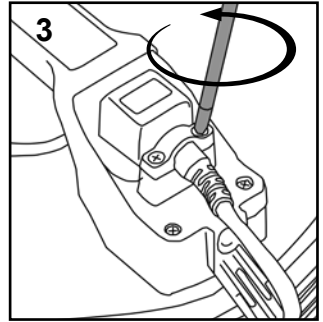
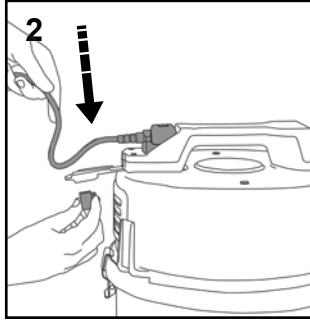
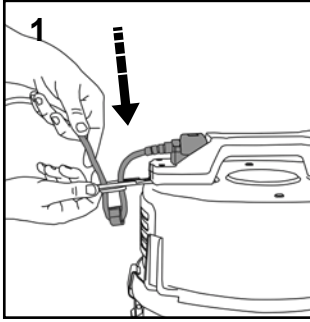
## Cleaning the Filters



Do not replace filter until completely dry!



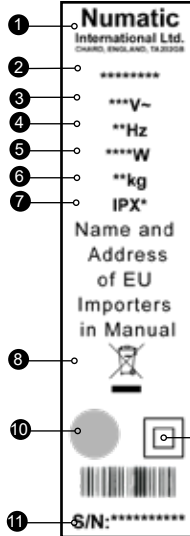
## Changing the Cable



# (GB) About your machine

## Rating Label

|    |                             |
|----|-----------------------------|
| 1  | Company Name & Address      |
| 2  | Model                       |
| 3  | Voltage/Alternating Current |
| 4  | Frequency                   |
| 5  | Rated Input Power           |
| 6  | Weight                      |
| 7  | Ingress Protection          |
| 8  | WEEE Logo                   |
| 9  | Protection Class 2 Symbol   |
| 10 | Approval Mark               |
| 11 | Machine yr/wk Serial Number |



### Daily

Keep the machine clean, including hoses and tubes.

Ensure the bag and filter are fitted, (Dry use). Empty dust bag if required.

Clean and check float safety valve for signs of damage.

Regularly examine the power cord. Check filters are clean.

### Weekly - as daily and:-

Check for any worn or damaged parts and replace immediately.

**MAINTENANCE**

## WEEE Legislation (Waste, Electrical and Electronic Equipment)

Vacuum cleaner, accessories and packaging should be sorted for environmentally - friendly recycling.

### (Only for EU Countries)

Do not dispose of vacuum cleaner into household waste! According to the European Directive 2012/19/EU on waste electrical and electronic equipment and its incorporation into national law.

Vacuum cleaners that are no longer suitable for use must be separately collected and sent for recovery in an environmentally - friendly manner.



## PPE (personal protective equipment). That may be required for certain operations.

|                |                     |                             |               |                    |
|----------------|---------------------|-----------------------------|---------------|--------------------|
|                |                     |                             |               |                    |
| Ear Protection | Safety Footwear     | Head Protection             | Safety Gloves |                    |
|                |                     |                             |               | Caution Floor Sign |
| Eye Protection | Protective Clothing | Dust / Allergens Protection | Hi Viz Jacket |                    |

**NOTE:** A risk assessment should be conducted to determine which PPE should be worn.

Failure to rectify the problem or in the event of a breakdown contact your Numatic dealer or the Numatic Technical helpline +44 (0)1460 269268

Mains leads:

### Safety Critical Components

H05VV-F 10 m x 2 Core x 1.0mm<sup>2</sup>

H05VV-F 10 m x 2 Core x 1.5mm<sup>2</sup>

(115v ) H05VV-F 10 m x 2 Core x 2.5mm<sup>2</sup>

# Information for WET & DRY use Vacuum Cleaners

## Warning

Read the instruction manual before using the machine.

Operators shall be adequately instructed on the use of these machines.

As with all electrical equipment, care and attention must be exercised at all times during use, in addition to ensuring that routine and preventative maintenance is carried out periodically to ensure safe operation. Failure to carry out maintenance as necessary, including the replacement of parts to the correct standard could render this equipment unsafe and the manufacturer can accept no responsibility in this respect.

The machine shall be disconnected from the mains power by removing the plug from the power supply socket during cleaning or maintenance and when replacing parts or converting the machine to another function.

This machine is not to be used by children or persons with reduced physical, sensory or mental capabilities, or lack of experience or knowledge.

Children being supervised are NOT to play with the machine.

This appliance is intended to be assembled, cleaned and maintained by an adult.

This machine is not a toy.

This machine is not suitable for picking up hazardous or explosive dust. Contact your local distributor if you require a machine capable of performing these tasks.

## Caution

If foam/liquid comes out of machine exhaust, switch off immediately.

Allow the accumulated liquid to drain out through the machine exhaust, check the float assembly to ensure correct operation, empty the container if full of liquid, reassemble the machine.

Immediately upon start up there will be a certain amount of liquid issuing from the machine exhaust which will be the residue of liquid still within the power head. This will be quickly discharged after which the machine should function normally.

Liquid ejected from the machine could be hazardous as a result of its temperature, pressure or chemical content.

Ensure that the filtration system fitted to the machine is suitable for the material being collected.

This machine is for indoor use only.

This machine shall be stored indoors only. .

When moving from one place to another, consider the weight of the machine.

## Notes

You must ensure that the filtration system fitted to the machine is suitable for the material being collected.

This product complies with the requirements of clause 20 of IEC/EN 60335-2-69 Stability and Mechanical Hazards.

The primary use for this machine is commercial, for example in hotels, schools, hospitals, factories, shops and offices.

If the vacuum cleaner stops working, remove the plug from the power supply before investigating where the fault lies.

The vacuum cleaner should be inspected after use for damage.

The power light will illuminate, when your machine is connected to a suitable power supply (where fitted).

## Do

- Use a bag and filter at all times when using 'dry'.
- Keep your machine clean.
- Keep filters clean.
- Regularly clean the water level limiting float safety valve and examine for signs of damage or correct operation.
- Keep hoses and tubes clear.
- Replace any worn or damaged parts immediately.
- Regularly examine the power cord, if damage is found, the power cord must be replaced by a special cord available from Numatic or its service agents.

## Don't

- Use steam cleaners or pressure washers to clean the machine or use the machine in the rain.
- Immerse in water for cleaning.
- Allow any inexperienced repairs. Call the experts.
- Use wet if float valve is not functioning or fitted.
- Use to suck up hot ashes, or lighted cigarette ends.
- Run the machine over the power cable during operation as a hazard may occur.
- Pull on the cable to unplug the machine from the power supply.
- Walk over-wet carpets, upholstery or fabrics.
- Walk on clean carpets until fully dry.
- Attempt machine maintenance or cleaning unless the power supply plug has been removed from the supply outlet.
- Under any circumstances place foreign objects including (but not limited to) air fresheners, air freshener capsules or scented beads of any type into the top filter of the machine. Doing so can be dangerous and risk damage to the machine and may invalidate the machine warranty.



## Fault Finding

### Dry Mode maintenance/fault finding

If the vacuum cleaner stops working switch off and remove the plug from the wall before investigating where the fault lies. If the vacuum cleaner will not pick up any debris from the surface, switch off and remove the plug from the wall, inspect the floor tool, wands and hose for blockages, if no blockages are found, the dust bag may be full if the dust bag is not full the filter may be blocked.

### Wet mode

If the vacuum cleaner stops working switch off and remove the plug from the wall before investigating where the fault lies. If the vacuum cleaner has a blockage and will not pick up liquid, switch off and remove the plug from the wall, has the float valve operated, this will shut off the suction and the pitch of the vacuum motor will change. Remove the power head and empty the liquid out of the container, if the container is empty, check that the floor tool wands and hose are not blocked.

Flush the system with clean water after use.

After use always inspect the machine for damage.

|  | Motor  | AirFlo<br>(motor only)                       | Suction  | Cleaning<br>Range                            | Class                                     |
|--|--|--|--|--|---|
| CV 570<br>CVD 570<br>CV 900<br>CVD 900 | 1060 W<br>1060 W x 2<br>1060 W<br>1060 W x 2 | 49 L/sec<br>98 L/sec<br>49 L/sec<br>98 L/sec | 2400   | 26.8m  | II  |
|  |  | Capacity<br>Wet/dry                          | Size<br>(mm)   | Weight                                       | Sound Pressure (LpA)<br>Uncertainty (KpA) |
| CV 570<br>CVD 570<br>CV 900<br>CVD 900 |  | 13 L<br>13 L<br>30 L<br>30 L                 | 415x415x645mm<br>415x415x645mm<br>490x800x880mm<br>490x800x880mm | 16.3 kgs<br>18.5 kgs<br>25.2 kgs<br>27.7 kgs | 73.6-79 dB (A)<br>0.5 dB                  |

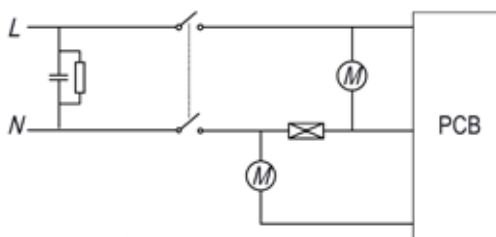
## Spare Parts

| NUMBER | ITEM                   | NOTES            |
|--------|------------------------|------------------|
| 207124 | CARTRIDGE FILTER       | REPLACEMENT ITEM |
| 207124 | (H10) CARTRIDGE FILTER | ACCESSORY ITEM   |
| 207126 | MESH FILTER            | REPLACEMENT ITEM |
| 502988 | FLOAT ASSEMBLY         | REPLACEMENT ITEM |

## Wiring Diagram



14" CV 570 / 900 - 240V / 120V

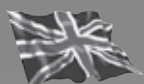


14" CVD 570 / 900 - 240V / 120V

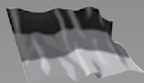




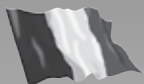
# Numatic



Numatic International Limited.  
Chard, Somerset TA20 2GB ENGLAND  
Tel: 01460 68600 [www.numatic.co.uk](http://www.numatic.co.uk)



Numatic International GmbH. Fränkische Straße 15–19  
D-30455 Hannover, DEUTSCHLAND  
Tel: 05 11 98 42 16 0 [www.numatic.de](http://www.numatic.de)



Numatic International SAS. 13 / 17 rue du Valengelier  
EAE La Tuilerie – 77500 CHELLES, FRANCE  
Tel: 01 64 72 61 61 [www.numatic.fr](http://www.numatic.fr)



Numatic International BV  
Vennootsweg 15, 2404 CG, Alphen aan den Rijn, NEDERLAND  
Tel: 0172 467 999 [www.numatic.nl](http://www.numatic.nl)



Numatic International (Pty.) Ltd.  
16th & Pharmaceutical Roads, Midrand, Gauteng,  
SOUTH AFRICA 1685  
Tel: 0861 686 284 [www.numatic.co.za](http://www.numatic.co.za)



Numatic International Schweiz AG.  
Sihlbruggstrasse 3A, 6340 Baar. SCHWEIZ  
Tel: 0041 (0) 41 76 80 76 - 0 [www.numatic.ch](http://www.numatic.ch)



Numatic International ULDA. Rua da Boa Viagem, 177  
4470.210 Maia. PORTUGAL  
Tel: +351 220 047 700 [www.numatic.pt](http://www.numatic.pt)



Numatic International SLU. C/ La Forja, 41, 08840 Viladecans  
(Barcelona), Spain  
Tel: +34 93 647 22 22 [www.numatic.es](http://www.numatic.es)

Specification subject to change without prior notice  
[www.numatic.co.uk](http://www.numatic.co.uk) © Numatic International Limited